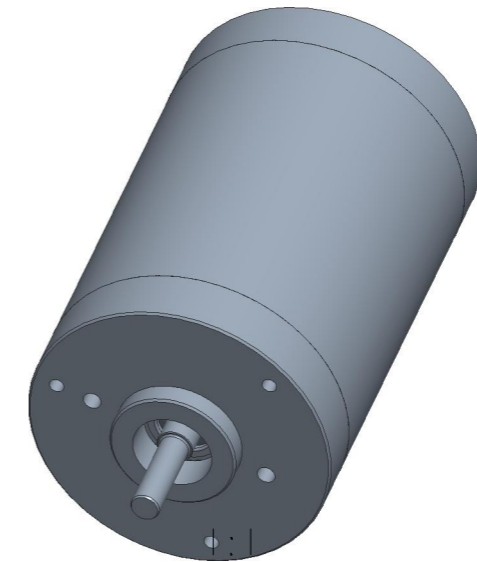
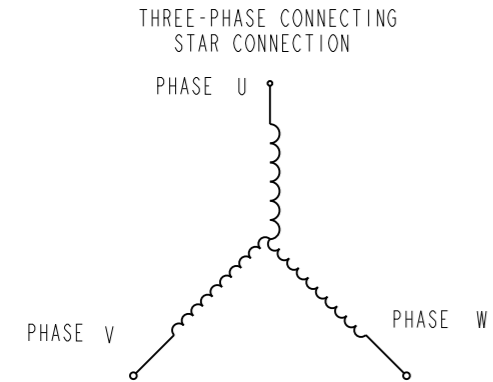
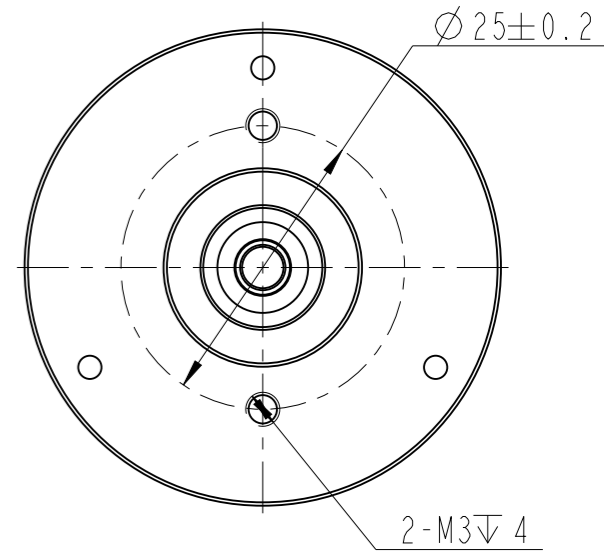
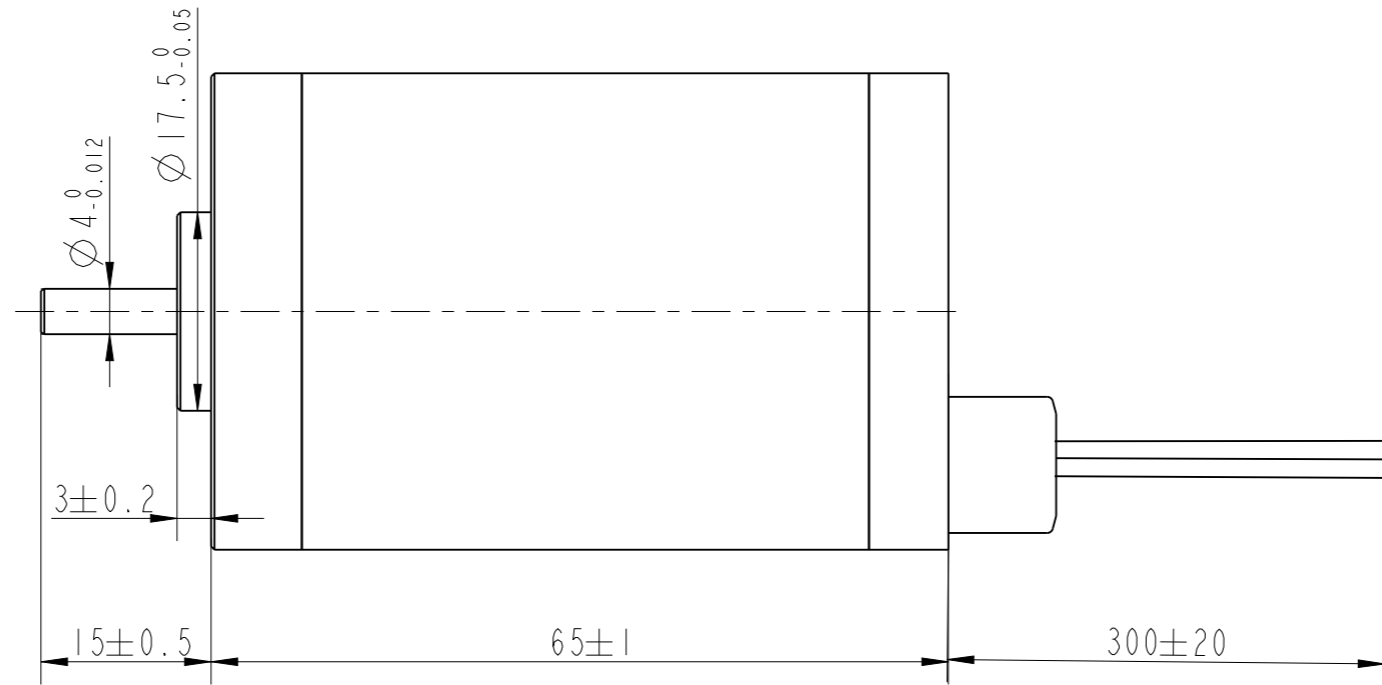
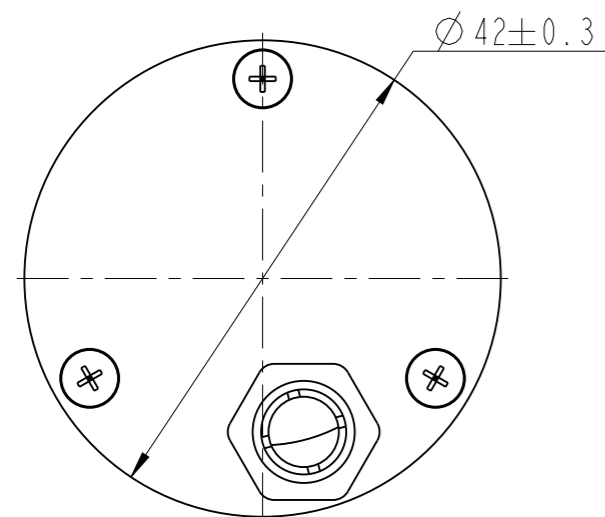


| REV | ECN | NO | DESCRIPTION | DRN | APP'D | DATE |
|-----|-----|----|-------------|-----|-------|------|
|     |     |    |             |     |       |      |
|     |     |    |             |     |       |      |
|     |     |    |             |     |       |      |
|     |     |    |             |     |       |      |



|                         |        |   |                                       |      |             |
|-------------------------|--------|---|---------------------------------------|------|-------------|
| NUMBER OF PHASE         | 绕组相数   | 3   | Wires for Driver UL1007 AWG22         |      |             |
| NUMBER OF POLES         | 极数     | 8   | Vcc                                   | GND  | NTC         |
| LINE TO LINE RESISTANCE | 线电阻    | 1.6 ± 10% ohms@20°C   | RED                                   | BLK  | WHT         |
| LINE TO LINE INDUCTANCE | 线电感    | 1.94 ± 20% mH@1kHz  | Wires for Driver UL1007 AWG22         |      |             |
| NOMINAL VOLTAGE         | 额定电压   | 24 VDC  | SV(0-5V)                              | FG   |             |
| NO LOAD SPEED           | 空载转速   | 5600 ± 10% RPM  | BLU                                   | YEL  |             |
| NO LOAD CURRENT         | 空载电流   | 0.4 A   |                                       |      |             |
| RATED TORQUE            | 额定转矩   | 0.056 N.m   | <p>PERMISSIBLE RADIAL+AXIAL FORCE</p> |      |             |
| RATED SPEED             | 额定转速   | 4200 RPM  |                                       |      |             |
| RATED CURRENT           | 额定电流   | 1.35 A  |                                       |      |             |
| PEAK TORQUE             | 峰值扭矩   | 0.125 N.m   |                                       |      |             |
| PEAK CURRENT            | 峰值电流   | 3 A   |                                       |      |             |
| BACK EMF CONSTANT       | 反电势常数  | 3.04 ± 10% Vrms/kRPM  |                                       |      |             |
| TORQUE CONSTANT         | 转矩常数   | 38.5 ± 10% mN.m/A   |                                       |      |             |
| INSULATION CLASS        | 绝缘等级   | B 130°C   |                                       |      |             |
| DIELECTRIC STRENGTH     | 介电强度   | 650VAC ISEC   |                                       |      |             |
| INSULATION RESIST       | 绝缘电阻   | 100MΩ @ 500VDC  |                                       |      |             |
| ROTOR INERTIA           | 转子转动惯量 | 33g.cm <sup>2</sup>   | AXIAL-FORCE                           | 轴向压力 | Fa=10 N Max |
| WEIGHT                  | 重量     | 0.4Kg   | DISTANCE                              | 距离   | a=10 mm     |
| OPERATION AMBIENT       | 使用环境   | Ambient temperature: -20...+50°C, humidity Max.85%(No condensation) |                                       |      |             |
| STORAGE AMBIENT         | 存储环境   | Ambient temperature: -10...+85°C, humidity Max.85%(No condensation) |                                       |      |             |

| REV                        | ECN | NO. | DESCRIPTION            | DESIGN | DATE   | P/N.          | TITLE                  |
|----------------------------|-----|-----|------------------------|--------|--------|---------------|------------------------|
| A                          |     |     |                        |        |        | 3.1.02.042.   | specifications         |
| UNLESS OTHERWISE SPECIFIED |     |     | MATERIAL               | CONTR. | CHECK  | USED ON       | FL42RBL60-24V-4030A-1E |
| TOLERANCES:                |     |     |                        |        |        | DWG NO.       | REV A                  |
| DECIMALS:                  |     |     |                        |        |        |               |                        |
| ANGULAR:                   |     |     |                        |        |        |               |                        |
| UNIT: mm                   |     |     |                        |        |        |               |                        |
| DO NOT SCALE DRAWING       |     |     | FIRST ANGLE PROJECTION | SCALE  | 3:2    | FULLING MOTOR |                        |
|                            |     |     |                        | SHEET  | 1 OF 1 |               |                        |