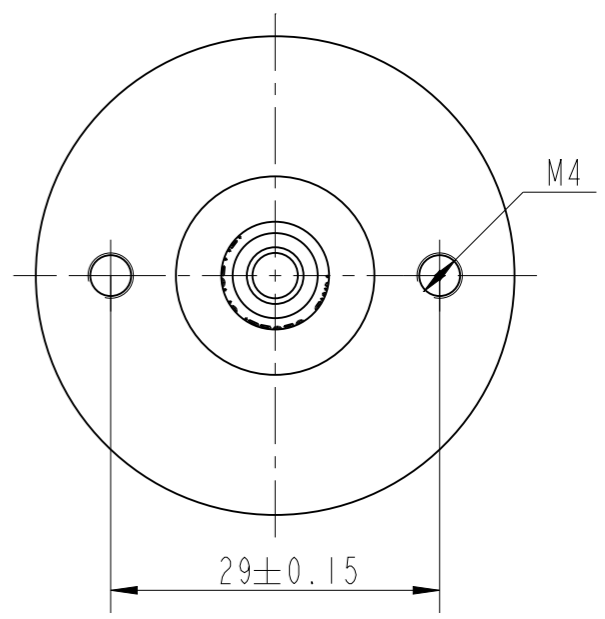
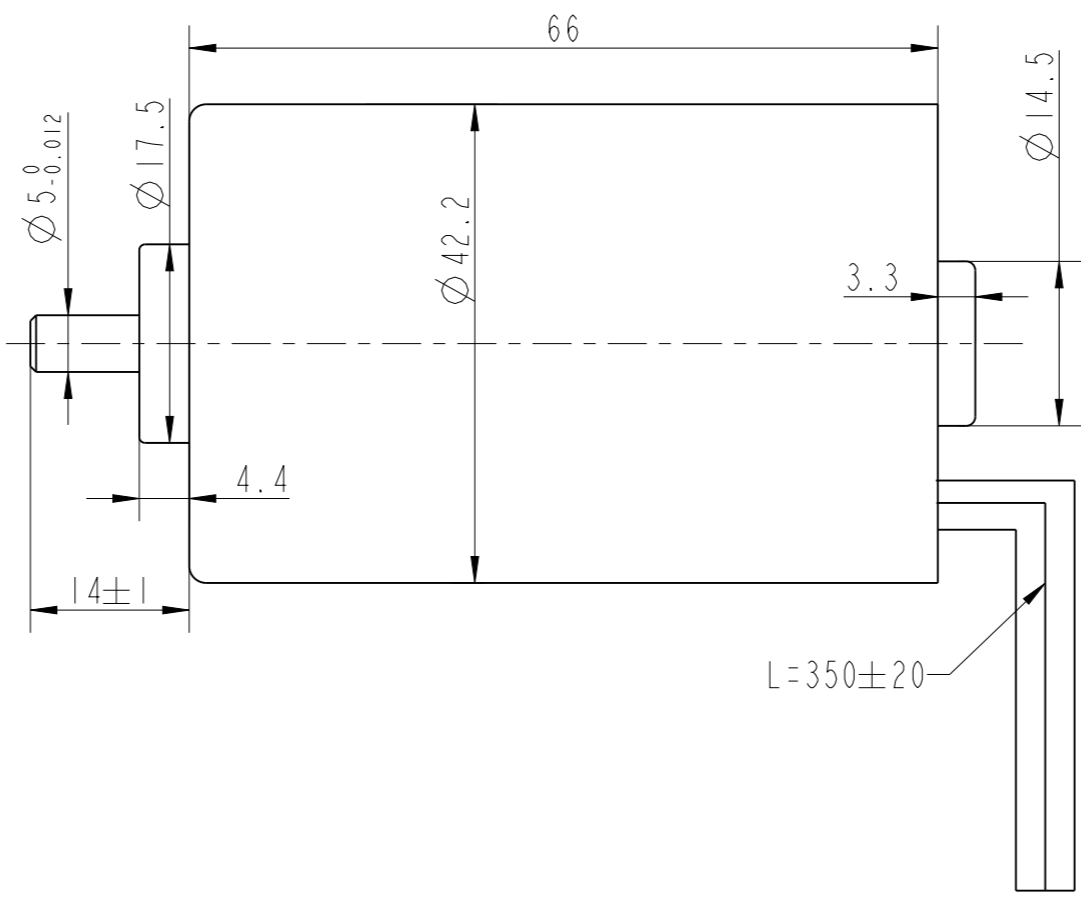
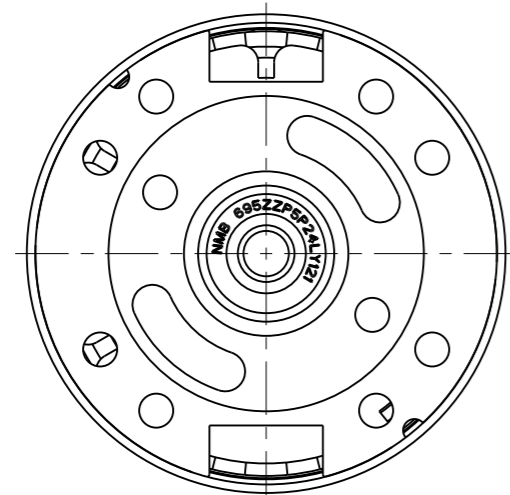


REV	ECN	NO	DESCRIPTION	DRN	APP'D	DATE



NUMBER OF PHASE	绕组相数	3	Wires for Drive UL3266 AWG22			
NUMBER OF POLES	极数	4	VCC		GND	
LINE TO LINE RESISTANCE	线电阻	2.5 ±10% ohms@20°C	RED		BLK	
LINE TO LINE INDUCTANCE	线电感	3.3±20% mH@1kHz	Wires for Driver UL1430 AWG26			
NOMINAL VOLTAGE	额定电压	24 VDC	F/R	PWM	PG	BK
NO LOAD SPEED	空载转速	3600±10% RPM	GRN	WHT	YEL	BLU
NO LOAD CURRENT	空载电流	0.25 A	<p style="text-align: center;">PERMISSIBLE RADIAL+AXIAL FORCE</p>			
RATED TORQUE	额定转矩	0.1 N.m				
RATED SPEED	额定转速	3000±10% RPM				
RATED CURRENT	额定电流	1.5 A				
PEAK TORQUE	峰值转矩	0.2 N.m				
PEAK CURRENT	峰值电流	3 A				
BACK EMF CONSTANT	反电势常数	4.82±10%Vrms/kRPM				
TORQUE CONSTANT	转矩常数	0.065±10%N.m/A				
INSULATION CLASS	绝缘等级	B 130°C				
DIELECTRIC STRENG	介电强度	650VAC ISEC				
INSULATION RESIST	绝缘电阻	100MΩ @500VDC	DISTANCE	距离	a=10 mm	
ROTOR INERTIA	转子转动惯量	55 g.cm ²	RADIAL-FORCE	径向压力	Fr=15 N Max	
WEIGHT	重量	0.44Kg	SHAFT RADIAL PLAY	径向间隙	0.02mm Max. @4N	
OPERATION AMBIENT	使用环境	Ambient temperature:-20...+50°C, humidity Max.85%(No condensation)				
STORAGE AMBIENT	存储环境	Ambient temperature:-10...+85°C, humidity Max.85%(No condensation)				

A		DESIGN	DATE	P/N.	3.1.02.042.0987
REV	ECN NO.	DESCRIPTION		TITLE	SPECIFICATIONS
UNLESS OTHERWISE SPECIFIED		MATERIAL	CONTR.	CHECK	USED ON
TOLERANCES:				APPD	FL42CBL66-24V-3031A-1E
DECIMALS:				DWG NO.	REV
.X ±0.5					A
.XX ±0.25				FULLING MOTOR	
.XXX ±0.1				SHEET 1 OF 1	
UNIT: mm		FIRST ANGLE PROJECTION		SCALE 3:2	
DO NOT SCALE DRAWING					