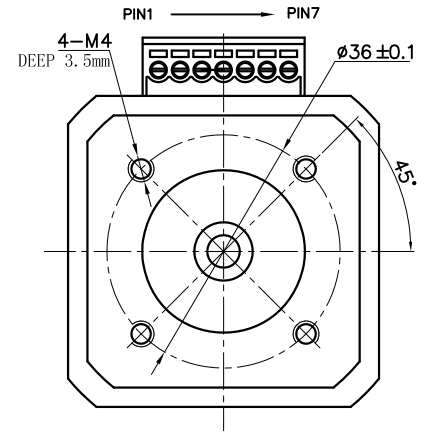
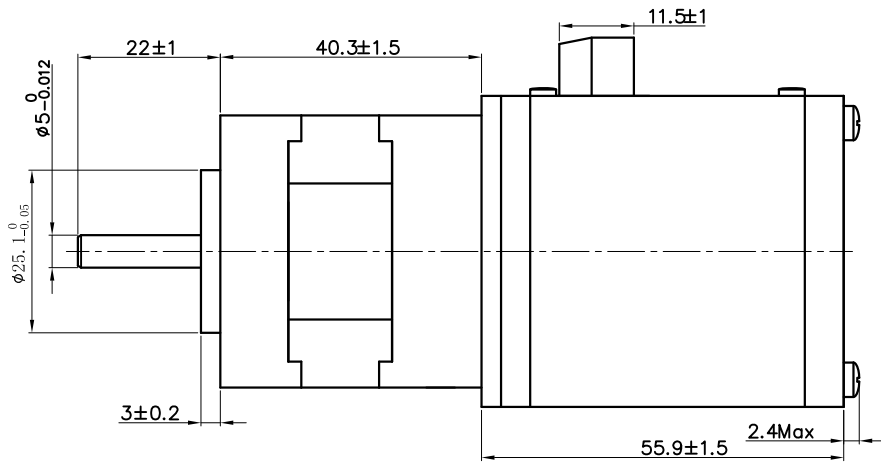
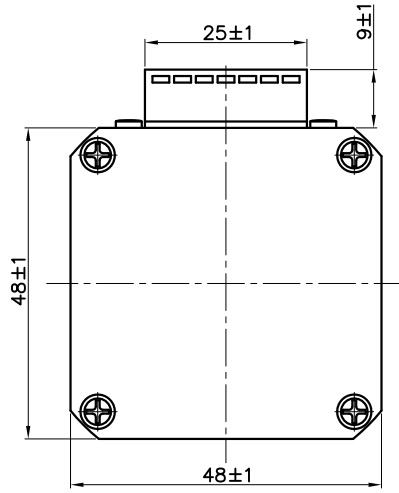


REV	ECN NO.	DESCRIPTION	DRN	APPD	DATE



CONNECTING INDICATING  
连接说明

+5V F/R	SV	PG	GND	GND	+Vp
○	○	○	○	○	○
1	2	3	4	5	6

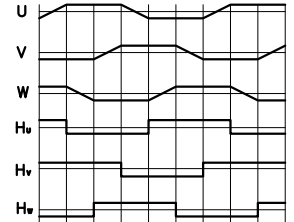
DETAILS: 详细说明

- 7 +Vp---DC POWER INPUT +24VDC / 直流电源输入端 +24V
- 6 GND---COMMON GROUND OF SYSTEM / 系统公共接地端
- 5 GND---COMMON GROUND OF SYSTEM / 系统公共接地端
- 4 PG---SPEED PULSE OUTPUT(TTL), 24 PULSE/REV / 速度脉冲输出 (TTL), 24脉冲/转
- 3 SV---SPEED VOLTAGE 0--5VDC / 调速电压 0--5VDC
- 2 F/R---ROTATING DIRECTION, Hi=CW / 转向调节端, 高电平=顺时针
- 1 +5V---+5V VOLTAGE OUTPUT / +5V 电压输出端

NOTE: / 技术要求

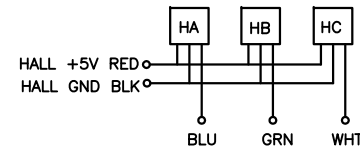
- SPEED CLOSE-LOOP CONTROL: 6000 RPM MAX.
- SV=5VDC / 速度环控制: 在调速电压为5V时, 转速最高6000 RPM

CCW COMMUTATION:  
VIEWED FROM OUTPUT SHAFT

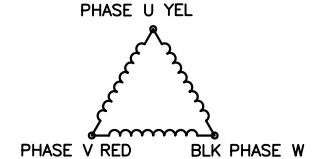


NUMBER OF PHASE 绕组相数		Wires for Phases UL1430 AWG20		
NUMBER OF POLES 极数	8	PHASE U	PHASE V	PHASE W
LINE TO LINE RESISANCE 线电阻	1.5 ± 10% ohms@20°C	YEL	RED	BLK
LINE TO LINE INDUCTANCE 线电感	2.1 ± 20% mH@1kHz	Wires for HALL UL1430 AWG26		
NOMINAL VOLTAGE 额定电压	24 VDC	HALL Vc	Hu	Hv
NO LOAD SPEED 空载转速	6500 ± 10% RPM	RED	BLU	GRN
NO LOAD CURRENT 空载电流	< 0.5 A	WHT	BLK	HALL Gnd
RATED TORQUE 额定转矩	0.0625 N.m	PERMISSIBLE RADIAL+AXIAL FORCE		
RATED SPEED 额定转速	4000 ± 10% RPM			
RATED CURRENT 额定电流	1.9 A			
PEAK TORQUE 峰值转矩	0.19 N.m	Fa	Fr	BEARING (轴承)
PEAK CURRENT 峰值电流	5.7 A	SPRING WASHER (波纹垫圈)	a	
BACK EMF CONSTANT 反电势常数	2.45 ± 10% Vrms/kRPM	AXIAL-FORCE 轴向压力 Fa=10 N Max		
TORQUE CONSTANT 转矩常数	0.033 N.m/A	DISTANCE 距离 a=10 mm		
INSULATION CLASS 绝缘等级	B 130°C	RADIAL-FORCE 径向压力 Fr=28 N Max		
DIELECTRIC STRENG 介电强度	600VAC 1SEC	SHAFT RADIAL PLAY 径向间隙 0.02mm Max. @4N		
INSULATION RESIST 绝缘电阻	100M0hm @500VDC	SHAFT AXIAL PLAY 轴向间隙 0.14mm Max. @4N		
ROTOR INERTIA 转子转动惯量	24 g.cm²	OPERATION AMBIENT 使用环境 Ambient temperature: -20...+50° C, humidity Max. 85% (No condensation)		
WEIGHT 重量	0.3 Kg	STORAGE AMBIENT 存储环境 Ambient temperature: -20...+85° C, humidity Max. 85% (No condensation)		

HALL CONNECTING



THREE-PHASE CONNECTING



REV	ECN NO.	DESCRIPTION	DESIGN	DATE	P/N.
UNLESS OTHERWISE SPECIFIED		MATERIAL	CONTR	CHECK	TITLE Specifications
TOLERANCES					USED ON FL42BS01-IE
DECIMALS:	ANGULAR:				DWG NO.
.x ±0.5	±0° 30'				REV A
.xx ±0.25					
.xxx ±0.1					
UNIT: mm	FIRST ANGLE PROJECTION	SCALE 1:1	FULLING MOTOR		
DO NOT SCALE DRAWING		SHEET 1 OF 1			