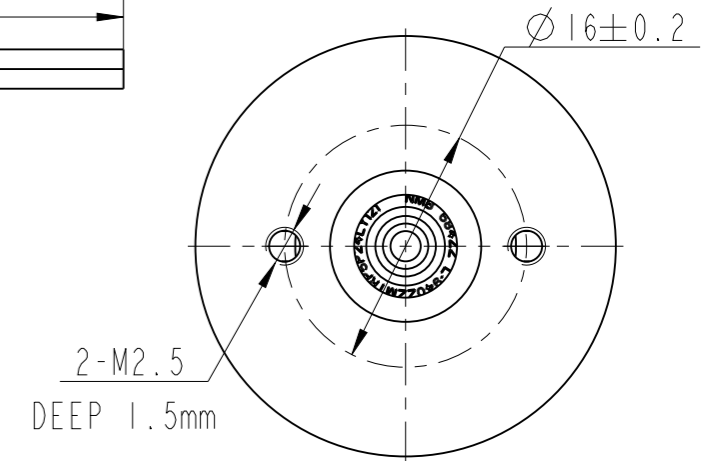
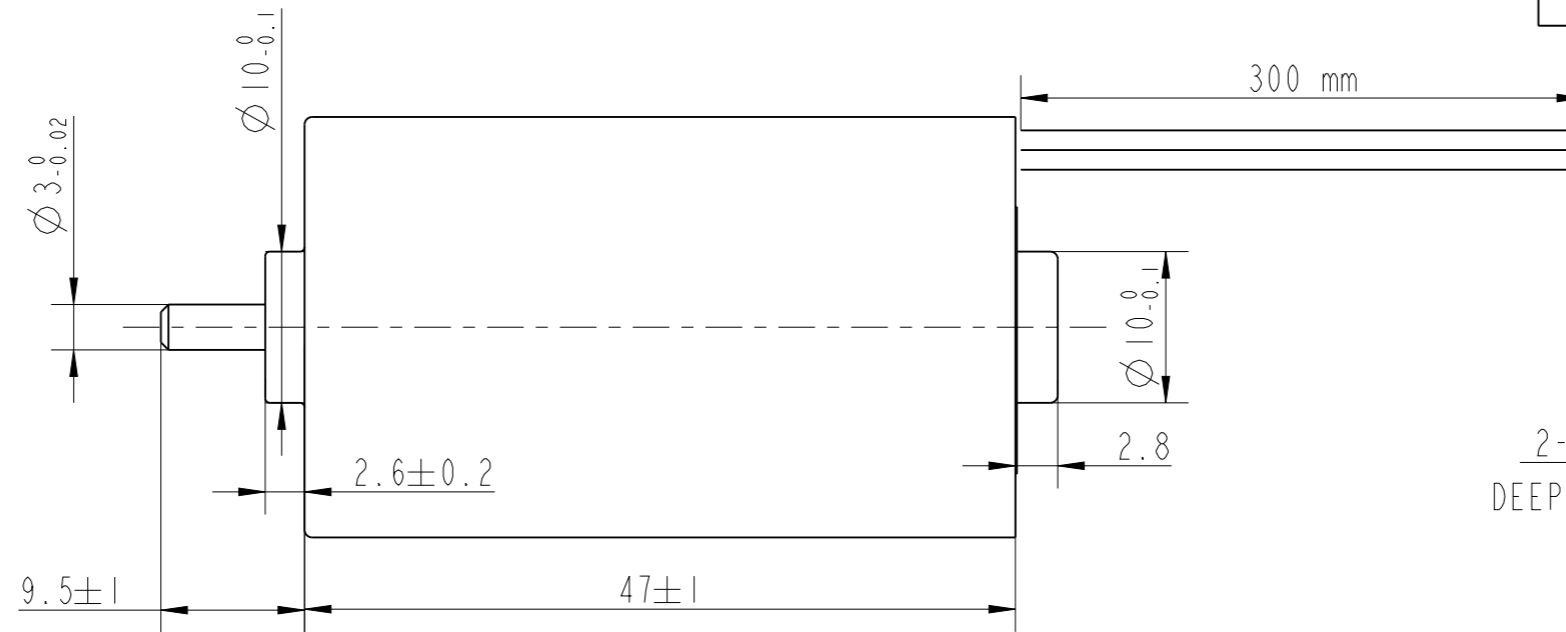
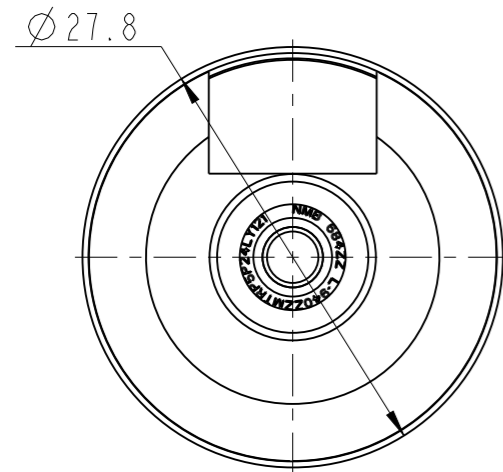
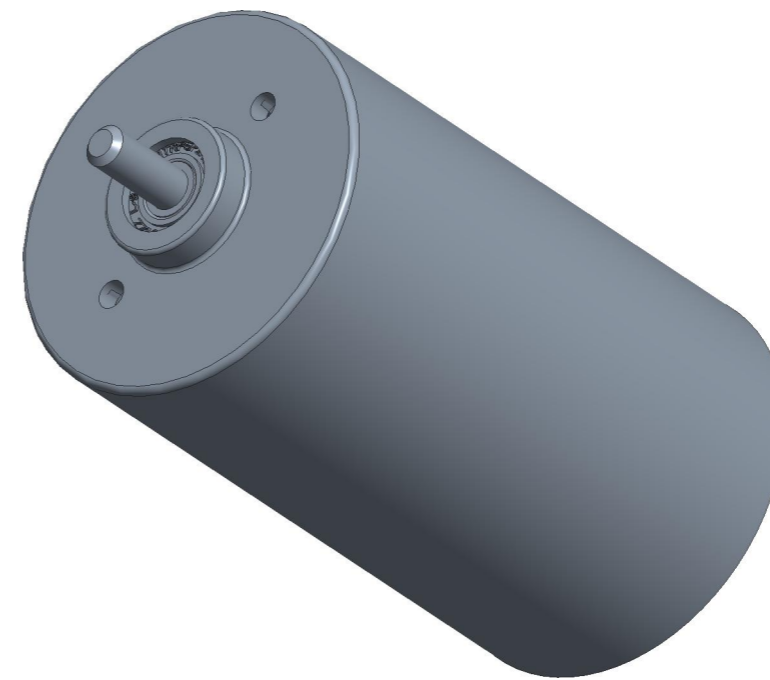
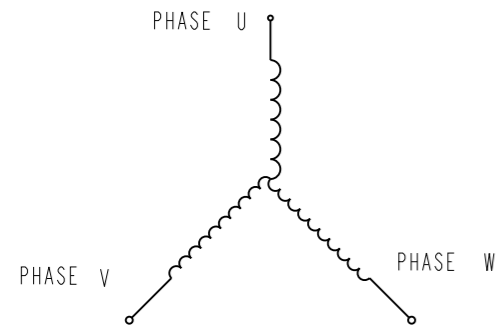


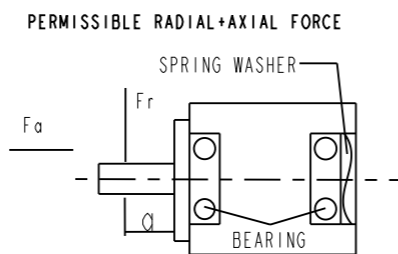
REV	ECN	NO	DESCRIPTION	DRN	APP'D	DATE



THREE-PHASE CONNECTING
STAR CONNECTION



NUMBER OF PHASE	绕组相数	3					
NUMBER OF POLES	极数	8					
LINE TO LINE RESISTANCE	线电阻	2.5±10% ohms@20°C					
LINE TO LINE INDUCTANCE	线电感	1.2±20% mH@1kHz	Wires for Driver ULI430 AWG28				
NOMINAL VOLTAGE	额定电压	24 VDC	VCC	GND	PWM	F/R	PG
NO LOAD SPEED	空载转速	6150±10% RPM	RED	BLK	BLU	GRN	WHT
NO LOAD CURRENT	空载电流	0.3 A					
RATED TORQUE	额定转矩	50 mN.m					
RATED SPEED	额定转速	4500 RPM					
RATED CURRENT	额定电流	1.4 A					
PEAK TORQUE	峰值转矩	72 mN.m					
PEAK CURRENT	峰值电流	2 A					
BACK EMF CONSTANT	反电势常数	2.68±10% Vrms/kRPM					
TORQUE CONSTANT	转矩常数	36.2±10% mN.m/A					
INSULATION CLASS	绝缘等级	B 130°C					
DIELECTRIC STRENG	介电强度	650VAC ISEC					
INSULATION RESIST	绝缘电阻	100MΩ @500VDC					
ROTOR INERTIA	转子转动惯量	6g.cm ²					
WEIGHT	重量	0.1Kg					
OPERATION AMBIENT	使用环境	Ambient temperature: -20...+50°C, humidity Max.85%(No condensation)					
STORAGE AMBIENT	存储环境	Ambient temperature: -10...+85°C, humidity Max.85%(No condensation)					



REV	ECN	NO	DESCRIPTION	DESIGN	DATE	P/N.	TITLE
A						3.1.02.028.0298	specification
UNLESS OTHERWISE SPECIFIED			MATERIAL	CONTR.	CHECK	USED ON	FL28CBLA48-24V-4524A-1E
TOLERANCES:						DWG NO.	REV A
DECIMALS:							
ANGULAR:							
UNIT: mm							
DO NOT SCALE DRAWING							
FIRST ANGLE PROJECTION							
SCALE 2:1							
SHEET 1 OF 1							FULLING MOTOR