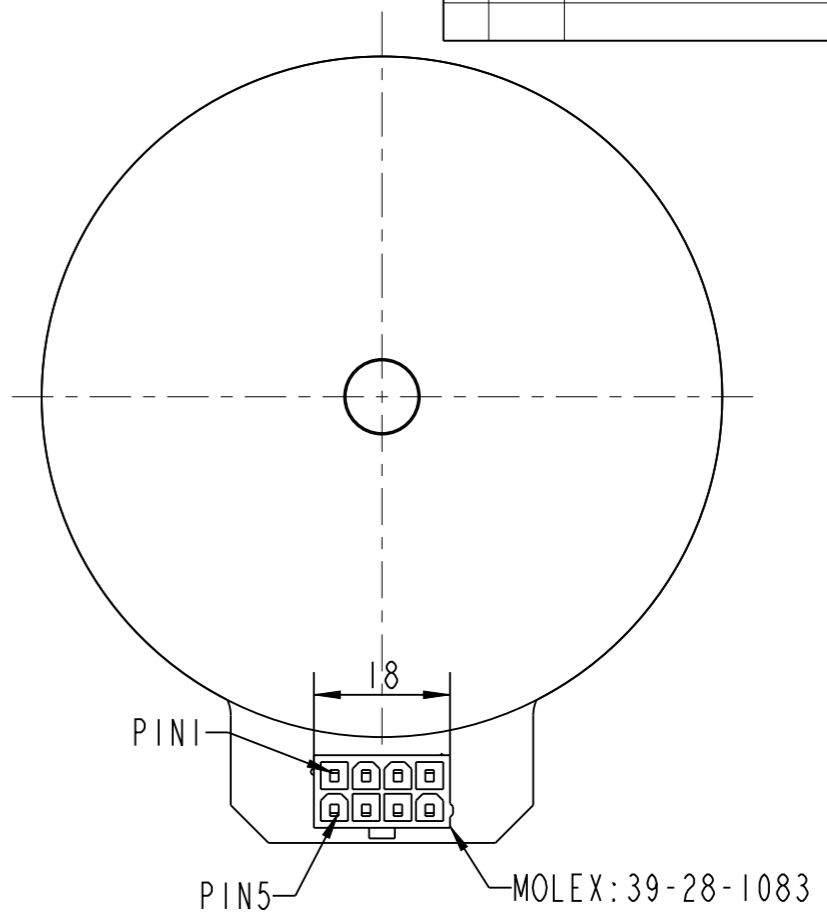
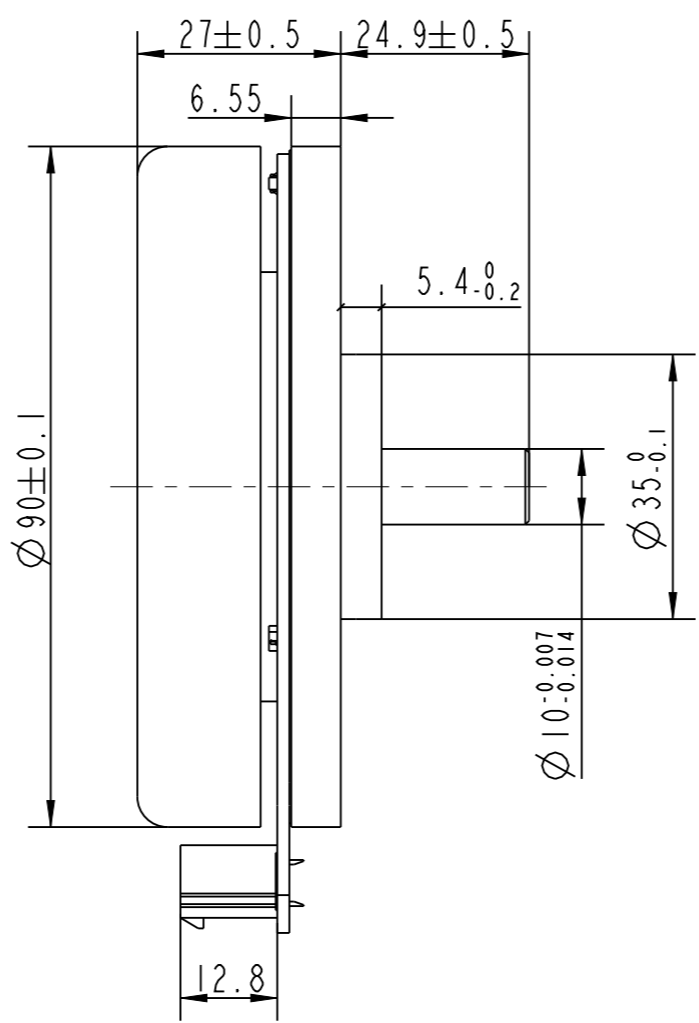
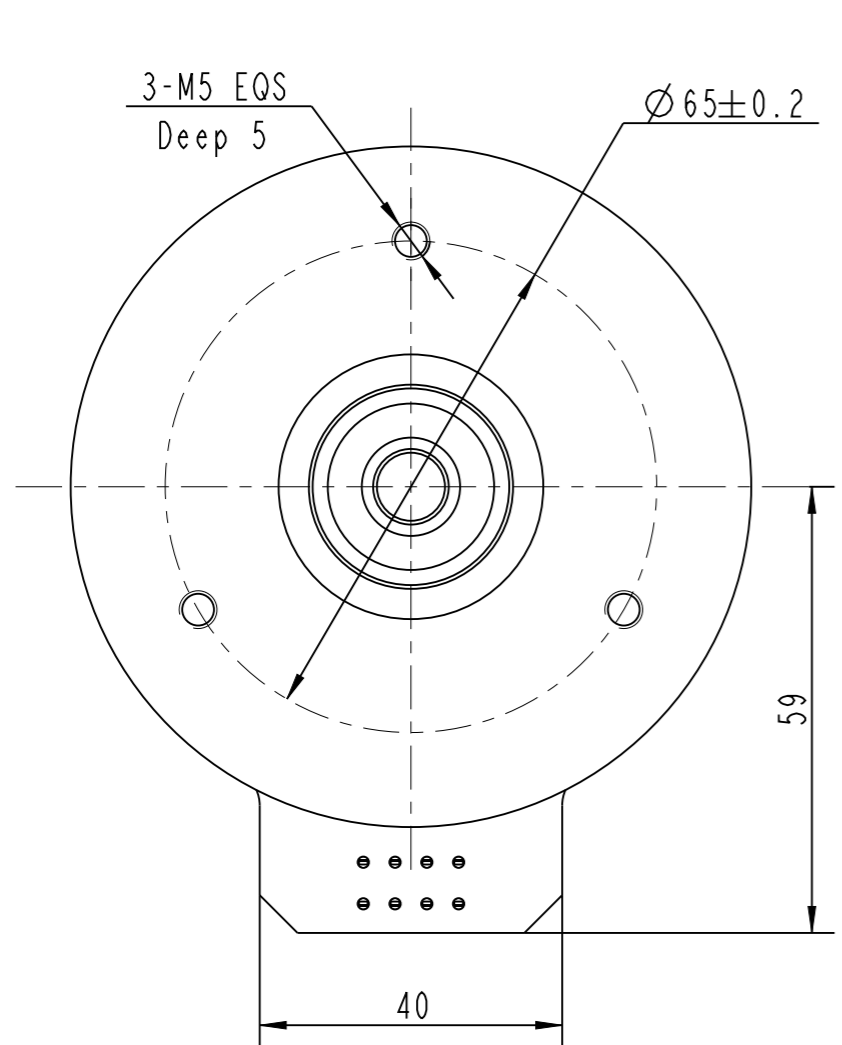


REV	ECN	NO	DESCRIPTION	DRN	APP'D	DATE



NUMBER OF PHASE	绕组相数	3	Phases				
NUMBER OF POLES	极数	22	PHASE U	PHASE V	PHASE W		
LINE TO LINE RESISTANCE	线电阻	0.21±10% ohms@20°C	PIN7	PIN8	PIN4		
LINE TO LINE INDUCTANCE	线电感	0.19±20% mH@1kHz	Hall				
NOMINAL VOLTAGE	额定电压	24 VDC	HALLVcc	Hu	Hv	Hw	HALLGnd
NO LOAD SPEED	空载转速	3300±10% RPM	PIN3	PINI	PIN2	PIN5	PIN6
NO LOAD CURRENT	空载电流	0.7 A REF	PERMISSIBLE RADIAL+AXIAL FORCE				
RATED TORQUE	额定转矩	457 mN.m					
RATED SPEED	额定转速	2720±10% RPM					
RATED CURRENT	额定电流	6.8 A					
PEAK TORQUE	峰值转矩	1600 mN.m					
PEAK CURRENT	峰值电流	23 A					
BACK EMF CONSTANT	反电势常数	5.2±10% Vrms/krPM					
TORQUE CONSTANT	转矩常数	63 mN.m/A					
INSULATION CLASS	绝缘等级	B 130°C	AXIAL-FORCE	轴向压力	Fa=45 N Max		
DIELECTRIC STRENG	介电强度	600VAC ISEC	DISTANCE	距离	a=10 mm		
INSULATION RESIST	绝缘电阻	100MOhm @500VDC	RADIAL-FORCE	径向压力	Fr=110 N Max		
ROTOR INERTIA	转子转动惯量	3000g.cm ²	SHAFT RADIAL PLAY	径向间隙	0.02mm Max.@4N		
WEIGHT	重量	0.6Kg	SHAFT AXIAL PLAY	轴向间隙	0.08mm Max.@4N		
OPERATION AMBIENT	使用环境	Ambient temperature:-25...+55°C, humidity Max.85%(No condensation)					
STORAGE AMBIENT	存储环境	Ambient temperature:-25...+85°C, humidity Max.85%(No condensation)					

A		DESIGN	DATE	P/N.	3.1.02.090.0010
REV	ECN NO.	DESCRIPTION		TITLE	FL90BLW27-24V-27130A
UNLESS OTHERWISE SPECIFIED		MATERIAL	CONTR.	CHECK	USED ON
TOLERANCES:				APPD	FL90BLW27-24V-27130A
DECIMALS:					DWG NO.
.X ±0.5		ANGULAR:			REV
.XX ±0.25		±0°30'			A
.XXX ±0.1		FIRST ANGLE PROJECTION		SCALE	1:1
UNIT: mm				SHEET	1 OF 1
DO NOT SCALE DRAWING				FULLING MOTOR	