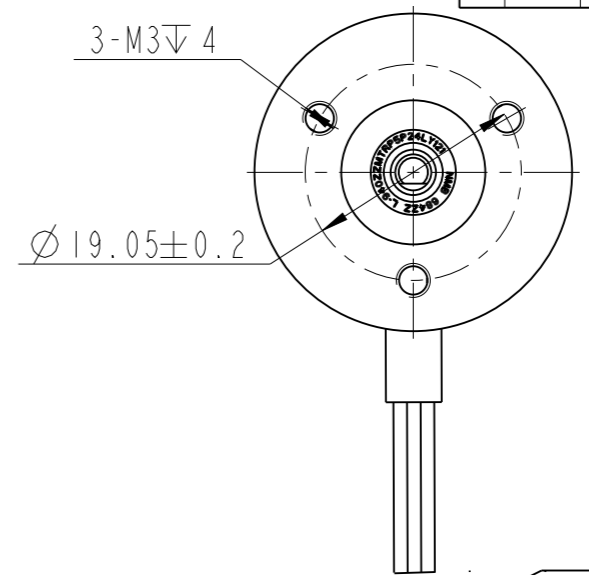
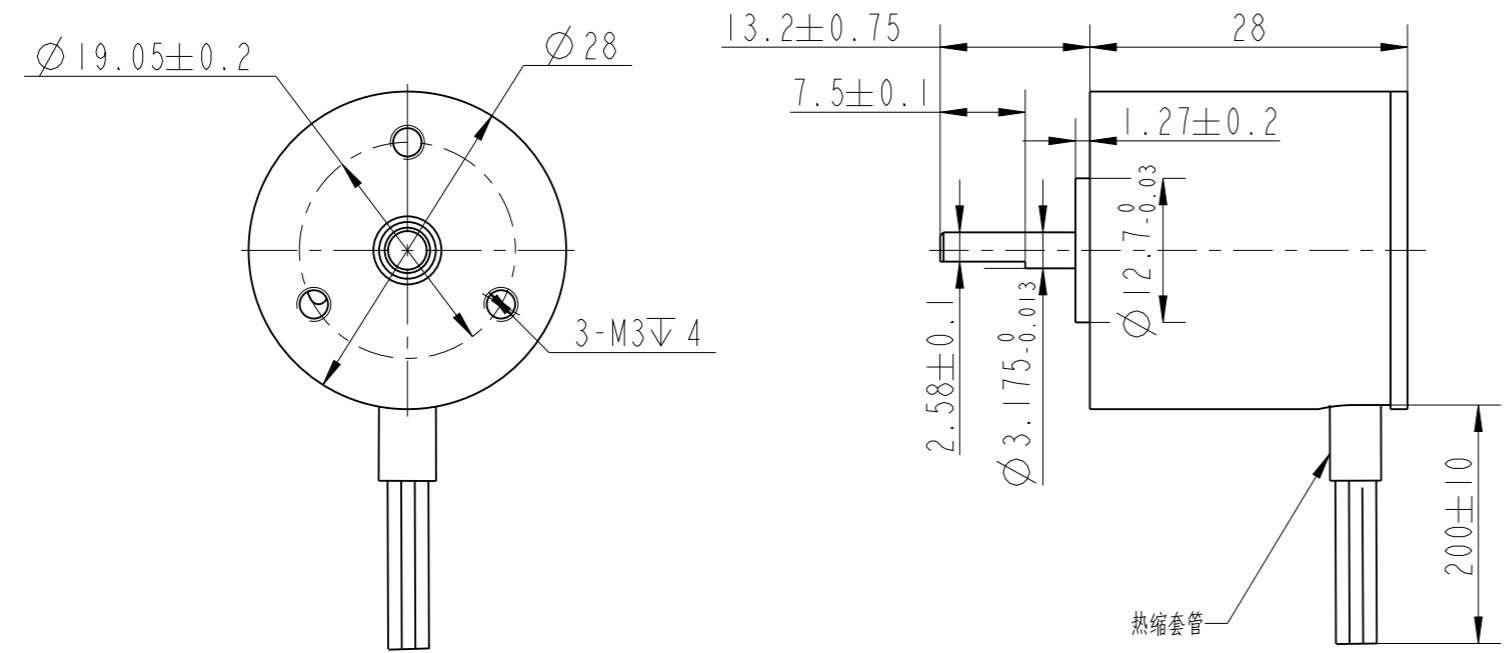
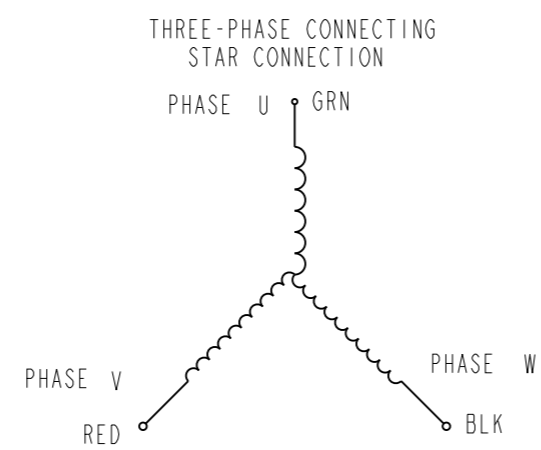
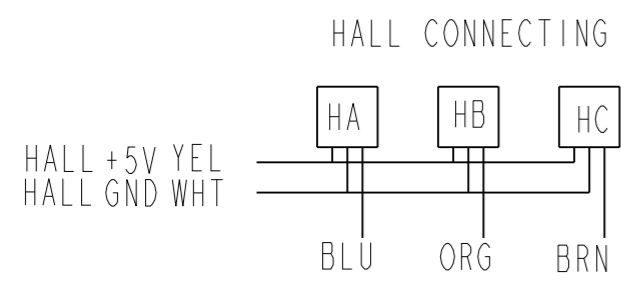
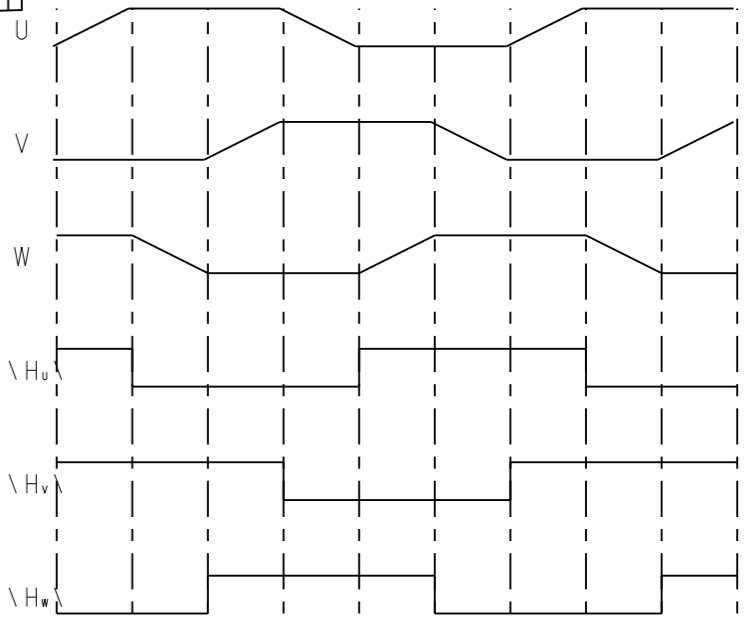


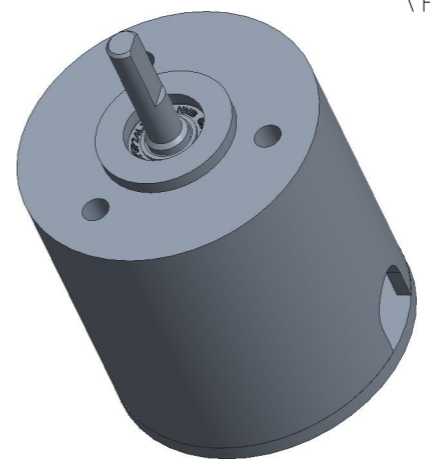
REV	ECN	NO	DESCRIPTION	DRN	APP'D	DATE



CW COMMUTATION
VIEWED FROM OUTPUT SHAFT



NUMBER OF PHASE	绕组相数	3	Wires for Phases UL1007 AWG26		
NUMBER OF POLES	极数	4	PHASE U	PHASE V	PHASE W
LINE TO LINE RESISTANCE	线电阻	8.2±10% ohms@20°C	GRN	RED	BLK
LINE TO LINE INDUCTANCE	线电感	2.3±20% mH@1kHz	Wires for Hall UL1007 AWG26		
NOMINAL VOLTAGE	额定电压	15 VDC	HALL Vc	Hu	Hv
NO LOAD SPEED	空载转速	9600±10% RPM	YEL	BLU	ORG
NO LOAD CURRENT	空载电流	<0.3 A		BRN	Hw
RATED TORQUE	额定转矩	5 mN.m			HALL Gnd
RATED SPEED	额定转速	8000 RPM			
RATED CURRENT	额定电流	0.45 A	PERMISSIBLE RADIAL+AXIAL FORCE 		
PEAK TORQUE	峰值转矩	15 mN.m			
PEAK CURRENT	峰值电流	1.3 A			
BACK EMF CONSTANT	反电势常数	1.06±10% Vrms/kRPM			
TORQUE CONSTANT	转矩常数	14.3±10% mN.m/A			
INSULATION CLASS	绝缘等级	B 130°C	AXIAL-FORCE	轴向压力	Fa=2 N Max
DIELECTRIC STRENG	介电强度	650VAC ISEC	DISTANCE	距离	a=10 mm
INSULATION RESIST	绝缘电阻	100MΩm @500VDC	RADIAL-FORCE	径向压力	Fr=10N Max
ROTOR INERTIA	转子转动惯量	2.35g.cm²	SHAFT RADIAL PLAY	径向间隙	0.02mm Max. @4.5N
WEIGHT	重量	0.06 Kg	SHAFT AXIAL PLAY	轴向间隙	0.08mm Max. @4.5N
OPERATION AMBIENT	使用环境	Ambient temperature:-20...+50°C, humidity Max.85%(No condensation)			
STORAGE AMBIENT	存储环境	Ambient temperature:-20...+85°C, humidity Max.85%(No condensation)			



A		DESIGN	DATE	P/N.	3.1.02.028.0302
REV	ECN NO.	DESCRIPTION		TITLE	specifications
UNLESS OTHERWISE SPECIFIED		MATERIAL	CONTR.	CHECK	USED ON
TOLERANCES:					FL28BL28-15V-8006AF
DECIMALS:					DWG NO.
.X ±0.5					REV
.XX ±0.25					A
.XXX ±0.1					
UNIT: mm		FIRST ANGLE PROJECTION	SCALE 3:2	FULLING MOTOR	
DO NOT SCALE DRAWING			SHEET 1 OF 1		