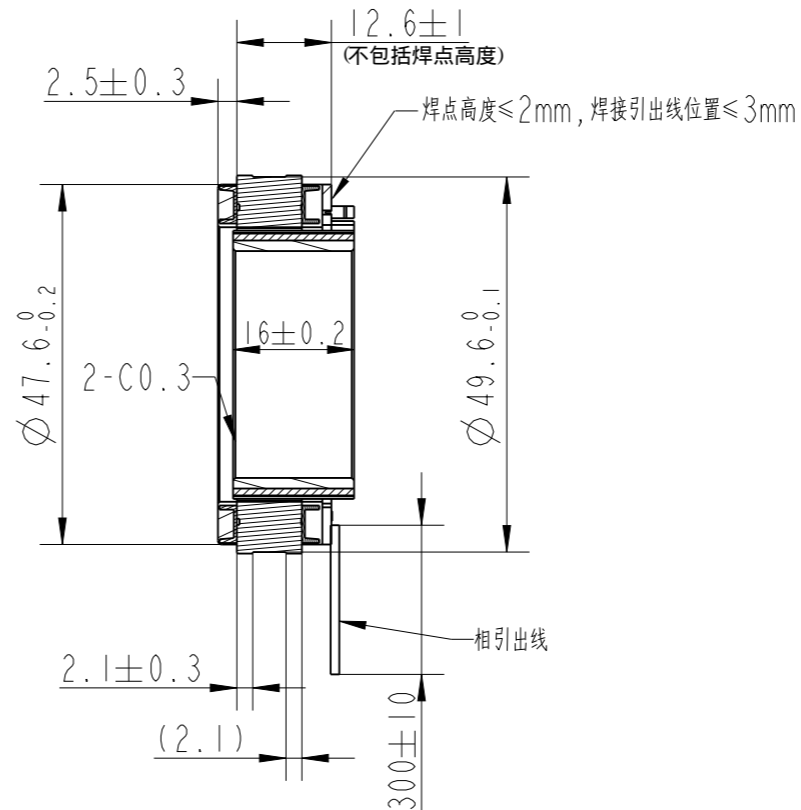
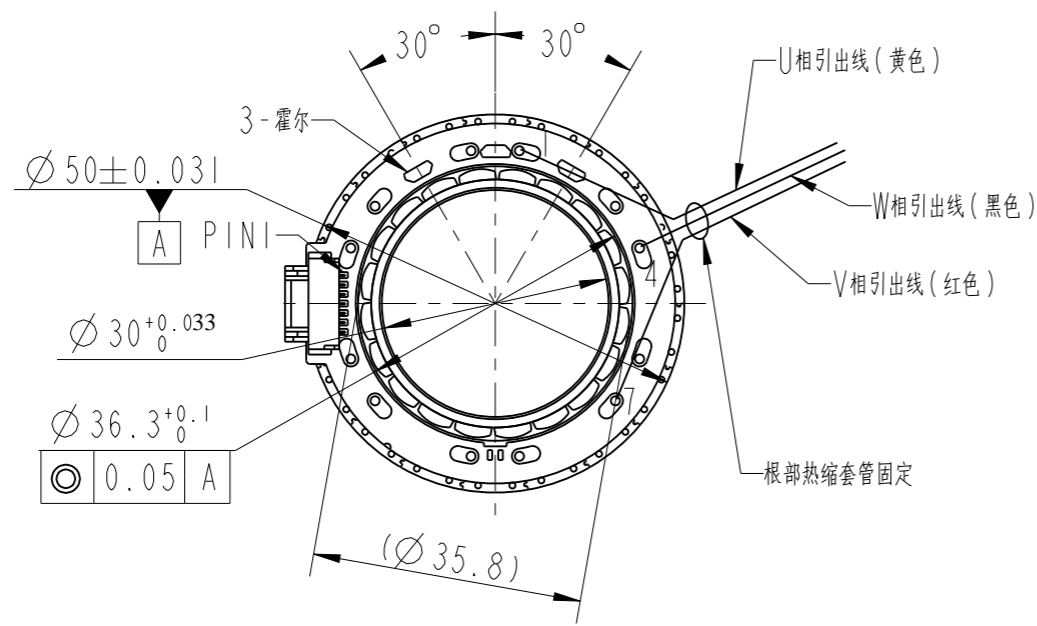
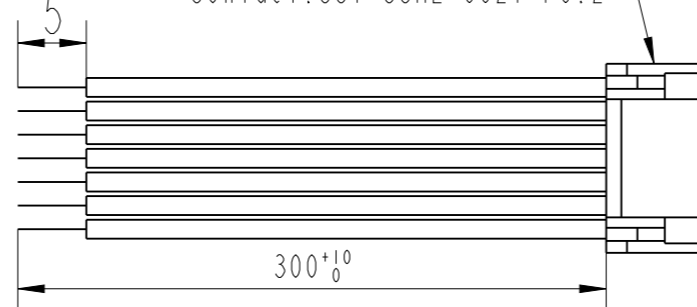


热敏型号:  
LTS00-104J395J21D005

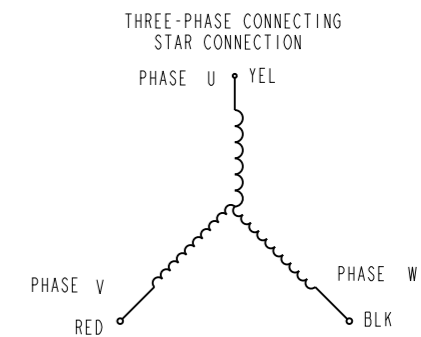


Housing: JST GHR-07V-S  
Contact: JST SSSL-002T-P0.2



REV	ECN	NO	DESCRIPTION	DRN	APP'D	DATE

PIN1	NTC2
PIN2	NTC1
PIN3	GND
PIN4	Ha
PIN5	Hb
PIN6	Hc
PIN7	Vcc



NUMBER OF PHASE	绕组相数	3	Wires for Phases UL1332 AWG22		
NUMBER OF POLES	极数	20	PHASE U	PHASE V	PHASE W
LINE TO LINE RESISTANCE	线电阻	0.93±10% ohms@20°C	YEL	RED	BLK
LINE TO LINE INDUCTANCE	线电感	0.45±20% mH@1kHz	Wires for Hall UL1061 AWG26		
NOMINAL VOLTAGE	额定电压	48 VDC	HALL Vc	Hu	Hv
NO LOAD SPEED	空载转速	6200±10% RPM	Hw	HALL Gnd	NTC1
NO LOAD CURRENT	空载电流	0.4 A(REF)	RED	BLU	GRN
RATED TORQUE	额定转矩	0.3 N.m	WHT	BLK	NTC2
RATED SPEED	额定转速	5000 RPM	PERMISSIBLE RADIAL+AXIAL FORCE		
RATED CURRENT	额定电流	3.6 A	AXIAL-FORCE	轴向压力	Fa=/ N Max
PEAK TORQUE	峰值转矩	0.96 N.m	DISTANCE	距离	a=/ mm
PEAK CURRENT	峰值电流	11.6 A	RADIAL-FORCE	径向压力	Fr=/ N Max
BACK EMF CONSTANT	反电势常数	5.4 Vrms/kRPM	SHAFT RADIAL PLAY	径向间隙	/ Max.@4N
TORQUE CONSTANT	转矩常数	89 mN.m/A	SHAFT AXIAL PLAY	轴向间隙	/ Max.@4N
INSULATION CLASS	绝缘等级	B 130°C	OPERATION AMBIENT 使用环境		
DIELECTRIC STRENG	介电强度	1000VAC ISEC	Ambient temperature:-20...+50°C, humidity Max.85%(No condensation)		
INSULATION RESIST	绝缘电阻	100MOhm @500VDC	STORAGE AMBIENT 存储环境		
ROTOR INERTIA	转子转动惯量	90g.cm <sup>2</sup>	Ambient temperature:-25...+85°C, humidity Max.85%(No condensation)		
WEIGHT	重量	95.6g			

HALL Vc	Hu	Hv	Hw	HALL Gnd	NTC1	NTC2
RED	BLU	GRN	WHT	BLK	YEL	BRN

Preliminary

A	REV	ECN NO.	DESCRIPTION	DESIGN	DATE	P/N.
				ZLF	22/02/08	
UNLESS OTHERWISE SPECIFIED TOLERANCES:			MATERIAL	CONTR.	CHECK	TITLE
DECIMALS:						USED ON
.X	±0.5	ANGULAR:				FL50BL08-48V-50170A
.XX	±0.25	±0°30'				DWG NO.
.XXX	±0.1					REV
UNIT: mm			FIRST ANGLE PROJECTION	SCALE 1:1		A
DO NOT SCALE DRAWING				SHEET 1 OF 1	FULLING MOTOR	