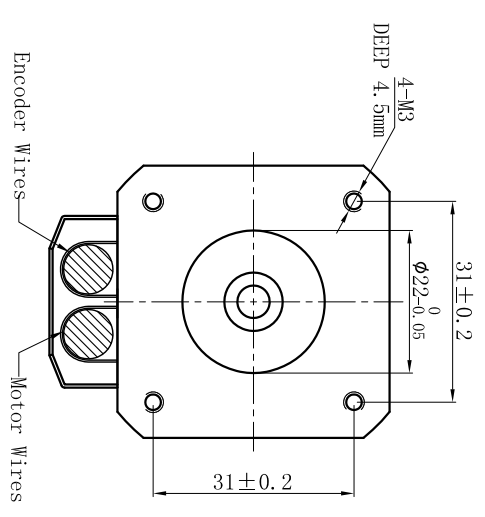
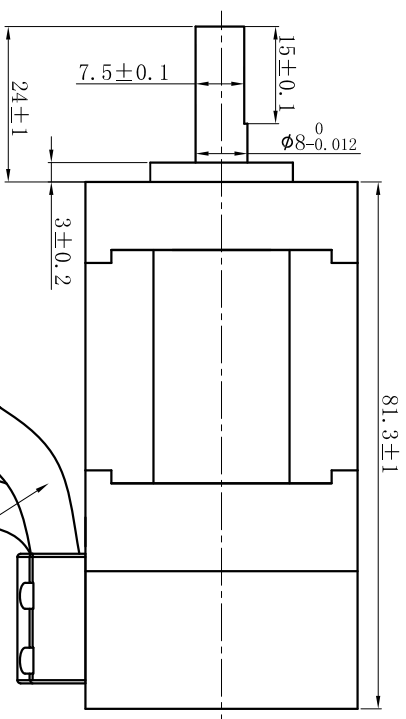
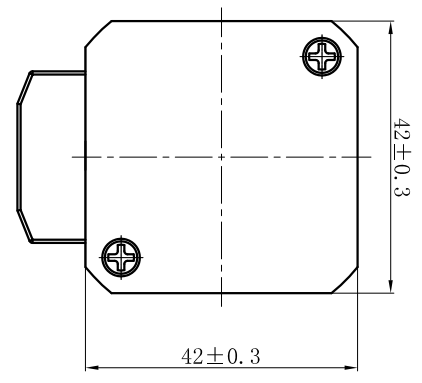
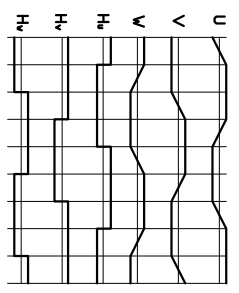


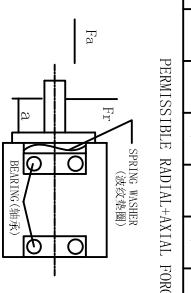
REV	EQ. NO.	DESCRIPTION	DRW.	APPD.	DATE



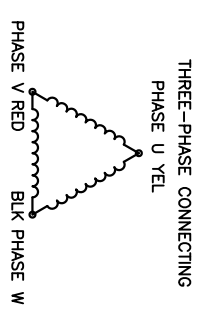
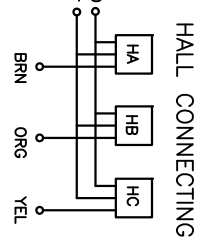
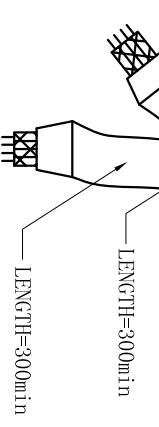
CCW COMMUTATION:
VIEWED FROM OUTPUT SHAFT



NUMBER OF PHASES	绕组相数	3	Wires for Phases AWG18		
NUMBER OF POLES	极数	8	PHASE U	PHASE V	PHASE W
LINE TO LINE RESISTANCE	线电阻	0.5±10% ohms@20°C	YEL.	RED	BLK
NOMINAL VOLTAGE	额定电压	0.9±20% mV@1kHz	Wires for encoder AWG26		
NO LOAD SPEED	空载转速	7400±10% RPM	RED/WHI	RED	BLK/WHI
NO LOAD CURRENT	空载电流	<0.5 A	BLK/WHI	BLK/WHI	BLK/WHI
RATED TORQUE	额定转矩	0.125 N.m	BLK/WHI	BLK/WHI	BLK/WHI
RATED SPEED	额定转速	5000±10% RPM	BLK/WHI	BLK/WHI	BLK/WHI
RATED CURRENT	额定电流	4 A	BLK/WHI	BLK/WHI	BLK/WHI
PEAK TORQUE	峰值转矩	0.38 N.m	BLK/WHI	BLK/WHI	BLK/WHI
PEAK CURRENT	峰值电流	12 A	BLK/WHI	BLK/WHI	BLK/WHI
BACK EMF CONSTANT	反电动势常数	2.3±10% Vrms/KRPM	BLK/WHI	BLK/WHI	BLK/WHI
TORQUE CONSTANT	转矩常数	0.031 N.m/A	BLK/WHI	BLK/WHI	BLK/WHI
INSULATION CLASS	绝缘等级	B 130°C	BLK/WHI	BLK/WHI	BLK/WHI
DIELECTRIC STRENGTH	介电强度	600VAC 1SPC	BLK/WHI	BLK/WHI	BLK/WHI
INSULATION RESIST	绝缘电阻	100MΩmm @500VDC	BLK/WHI	BLK/WHI	BLK/WHI
ROTOR INERTIA	转子转动惯量	48 g·cm ²	BLK/WHI	BLK/WHI	BLK/WHI
WEIGHT	重量	0.45 Kg	BLK/WHI	BLK/WHI	BLK/WHI
OPERATION AMBIENT	使用环境	Ambient temperature:-20...+40°C, humidity Max. 85% (No condensation)	BLK/WHI	BLK/WHI	BLK/WHI
STORAGE AMBIENT	存储环境	Ambient temperature:-20...+60°C, humidity Max. 85% (No condensation)	BLK/WHI	BLK/WHI	BLK/WHI



AXIAL FORCE	轴向压力	F _a =10 N Max
DISTANCE	距离	α=10 mm
RADIAL FORCE <td>径向压力 <td>F_r=28 N Max</td> </td>	径向压力 <td>F_r=28 N Max</td>	F _r =28 N Max
SHAFT RADIAL PLAY <td>径向间隙</td> <td>0.02mm Max @4N</td>	径向间隙	0.02mm Max @4N
SHAFT AXIAL PLAY <td>轴向间隙</td> <td>0.14mm Max @4N</td>	轴向间隙	0.14mm Max @4N



REV	EQ. NO.	DESCRIPTION	DATE	P/N.

UNLESS OTHERWISE SPECIFIED	DESCRIPTION	CHECK	DATE
TOLERANCES	MATERIAL		
ANGULAR:	CONTR		
DECLIMALS:			
.x ±0.5			
.xx ±0.25			
.xxx ±0.1			

UNIT: mm	SCALE	1:1

DO NOT SCALE DRAWING

TITLE	DESIGN	DATE
Specifications		
USED ON		
DWG NO.		
REV		

PULLING MOTOR