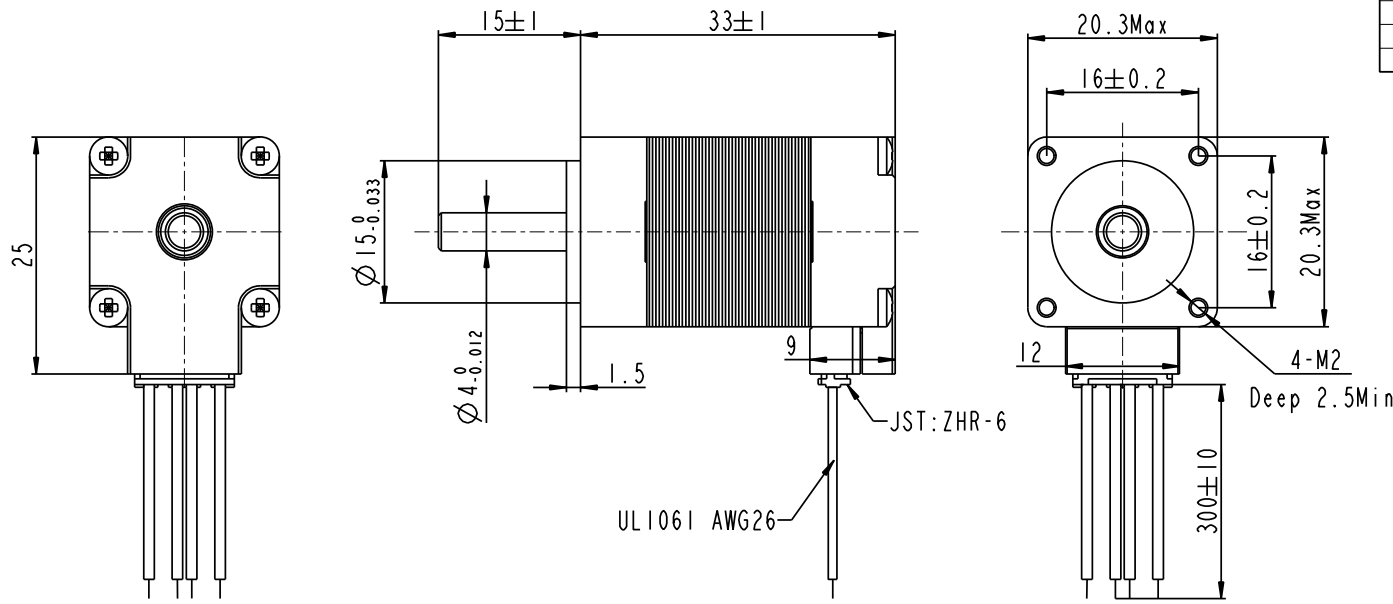
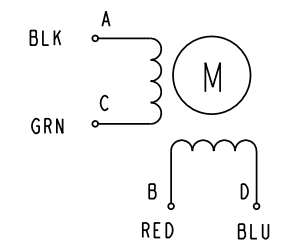


REV	ECN	NO	DESCRIPTION	DRN	APP'D	DATE
B	170904	REV	电机数据调整	黄	海	170904



Wiring Diagram (接线图)



Exciting Sequence (励磁顺序)

CW DIRECTION	STEP	A	C	B	D
↓	1	+		+	
	2		+	+	
	3		+		+
	4	+			+
	1	+		+	

CW see from the flange side

STEP ANGLE	步距角	1.8°/full step(整步)	PERMISSIBLE RADIAL+AXIAL FORCE (允许轴向和径向力)		
STEP ANGLE ACCURACY	步距角精度	±5%			
NUMBER OF PHASE	绕组相数	2			
RATED VOLTAGE	额定电压	3.84 VDC	AXIAL-FORCE	轴向压力	Fa:4N Max
RATED CURRENT	额定电流	0.6 A	DISTANCE	距离	a:5mm
RESISTANCE/PHASE	每相电阻	6.4±10% OHMS@20°C	RADIAL-FORCE	径向压力	Fr:10N Max
INDUCTANCE/PHASE	每相电感	2.6±20% mH@1kHz	SHAFT RADIAL PLAY	径向间隙	0.02mm Max.Ø4N
HOLDING TORQUE	保持转矩	0.022 N.m	SHAFT AXIAL PLAY	轴向间隙	0.08mm Max.Ø4N
PULL OUT TORQUE	运行转矩	/	OPERATION AMBIENT	使用环境	Ambient temperature:-20...+50°C, humidity Max.85%(No condensation)
BACK EMF	反电动势	/	STORAGE AMBIENT	存储环境	Ambient temperature:-20...+85°C, humidity Max.85%(No condensation)
DETTENT TORQUE	定位转矩	/			
ROTOR INERTIA	转子转动惯量	2.0 g.cm²			
WEIGHT	重量	60 g			

REV	ECN	NO.	DESCRIPTION	DESIGN	DATE	P/W.
						3.1.01.020.0233
UNLESS OTHERWISE SPECIFIED TOLERANCES:			MATERIAL	CONTR.	CHECK	TITLE
DECIMALS:						Specifications
.X	±0.5					USED ON
.XX	±0.25					FL20STC33-0604A
.XXX	±0.1					DWG NO.
UNIT: mm			FIRST ANGLE PROJECTION	SCALE	2:1	REV
DO NOT SCALE DRAWING				SHEET	1 OF 1	B
						FULLING MOTOR