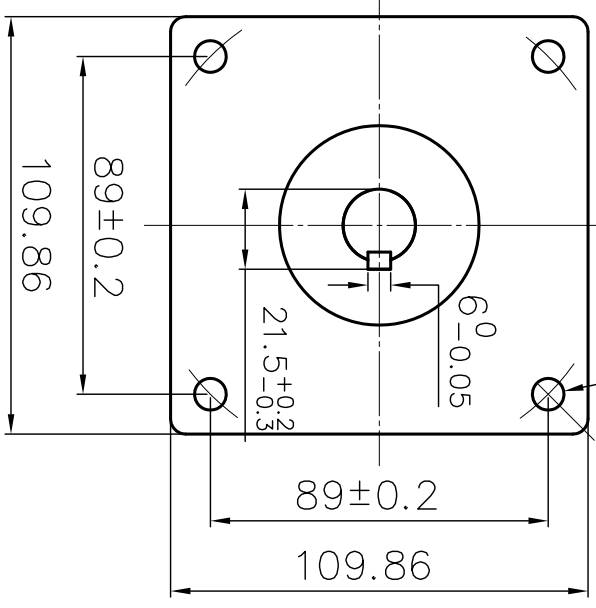
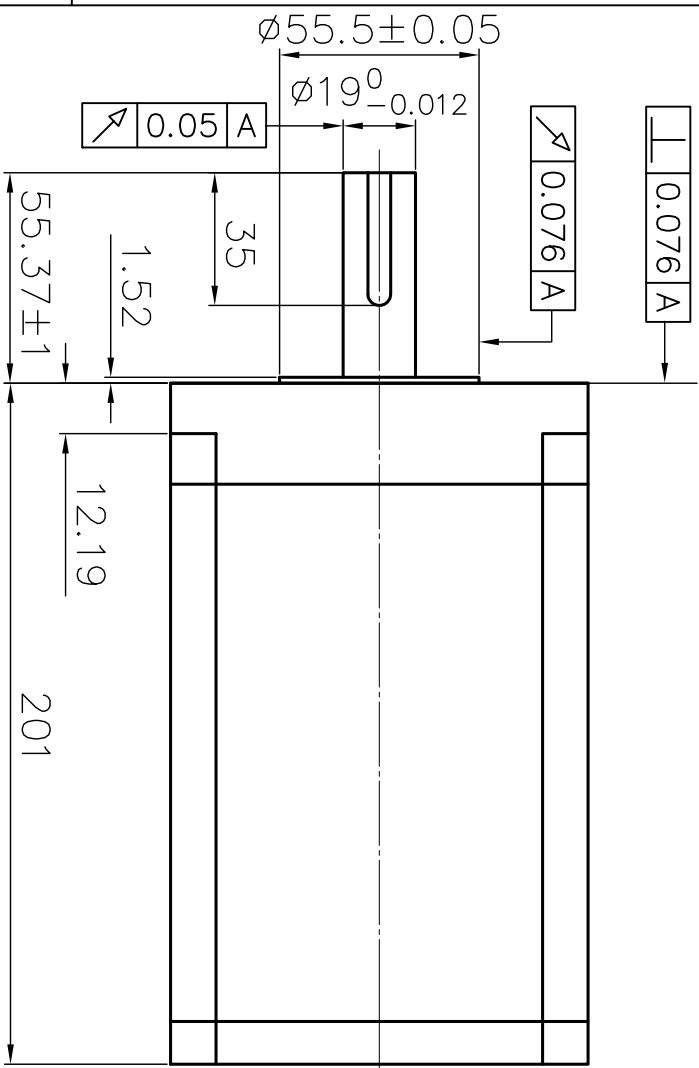


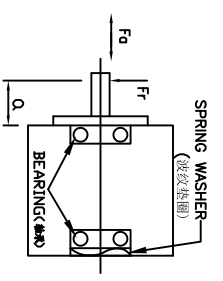
| REV | ECN NO. | DESCRIPTION | DRN | APP'D | DATE |
|-----|---------|-------------|-----|-------|------|
|     |         |             |     |       |      |
|     |         |             |     |       |      |
|     |         |             |     |       |      |
|     |         |             |     |       |      |
|     |         |             |     |       |      |
|     |         |             |     |       |      |
|     |         |             |     |       |      |
|     |         |             |     |       |      |
|     |         |             |     |       |      |



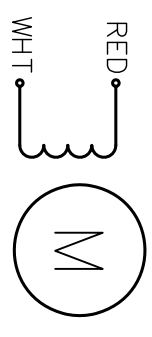
**SPECIFICATION**

|                       |        |                                                                      |
|-----------------------|--------|----------------------------------------------------------------------|
| STEP ANGLE            | 步距角    | 1.8°/full step (標準)                                                  |
| STEP ANGLE ACCURACY   | 步距角精度  | ±5%                                                                  |
| NUMBER OF PHASE       | 绕组相数   | 2                                                                    |
| RATED VOLTAGE         | 额定电压   | 5.36VDC                                                              |
| RATED CURRENT         | 额定电流   | 8.0A                                                                 |
| RESISTANCE/PHASE      | 每相电阻   | 0.67±10% ohms@20°C                                                   |
| INDUCTANCE/PHASE      | 每相电感   | 12±20% mH@1kHz                                                       |
| HOLDING TORQUE        | 保持转矩   | 30N.m<br><small>(保持转矩)</small>                                       |
| PULL OUT TORQUE       | 运行转矩   | N.m@ RPM                                                             |
| BACK EMF              | 反电动势   | V @ 300RPM                                                           |
| DETTENT TORQUE        | 定位转矩   | N.cm                                                                 |
| ROTOR INERTIA         | 转子转动惯量 | 7500 g.cm <sup>2</sup>                                               |
| WEIGHT                | 重量     | 11.7kg                                                               |
| TEMPERATURE RISE      | 温升     | Less than 80K (4#90#)                                                |
| SOURCE VOLTAGE        | 驱动器电压  | 70-220 VAC                                                           |
| INSULATION CLASS      | 绝缘等级   | B 150°C                                                              |
| INSULATION STRENGTH   | 介电强度   | 1200VAC 1s                                                           |
| INSULATION RESISTANCE | 绝缘电阻   | 100MΩhm @500VDC                                                      |
| IP CODE               | 防护等级   | IP30                                                                 |
| OPERATION AMBIENT     | 使用环境   | Ambient temperature: -20...+50°C, humidity Max. 85%(No condensation) |
| STORAGE AMBIENT       | 存储环境   | Ambient temperature: -20...+85°C, humidity Max. 85%(No condensation) |

**PERMISSIBLE RADIAL+AXIAL FORCE**  
(允許的軸向和徑向力)



**Wiring diagram**



**FULL STEP, PARALLEL BIPOLAR**

| CW DIRECTION | STEP | A | C | B | D |
|--------------|------|---|---|---|---|
| ↑            | 1    | + |   | + |   |
|              | 2    |   | + |   | + |
|              | 3    |   |   | + |   |
|              | 4    | + |   |   | + |
|              | 1    | + |   |   | + |

CW, VIEW FROM FRONT SHAFT END

UL1332 18# K310mm

|                            |         |                        |     |        |      |                   |      |                |  |
|----------------------------|---------|------------------------|-----|--------|------|-------------------|------|----------------|--|
| REV                        | ECN NO. | DESCRIPTION            | DRN | APP'D  | DATE | DESIGN            | DATE | P/N            |  |
| A                          |         |                        |     |        |      |                   |      |                |  |
| UNLESS OTHERWISE SPECIFIED |         | MATERIAL               |     | CONTR. |      | CHECK             |      | TITLE          |  |
| TOLERANCES:                |         | ANGULAR:               |     | APPD   |      | USED ON           |      | Specifications |  |
| .x ±0.5                    |         | ±0°30'                 |     |        |      | FL1105TH201-8004A |      |                |  |
| .xxx ±0.25                 |         |                        |     |        |      | DWG NO.           |      |                |  |
| .xxx ±0.1                  |         |                        |     |        |      | REV               |      | A              |  |
| DO NOT SCALE DRAWING       |         | FIRST ANGLE PROJECTION |     | SCALE  |      | NTS               |      | PULLING MOTOR  |  |
|                            |         |                        |     | SHEET  |      | OF                |      |                |  |