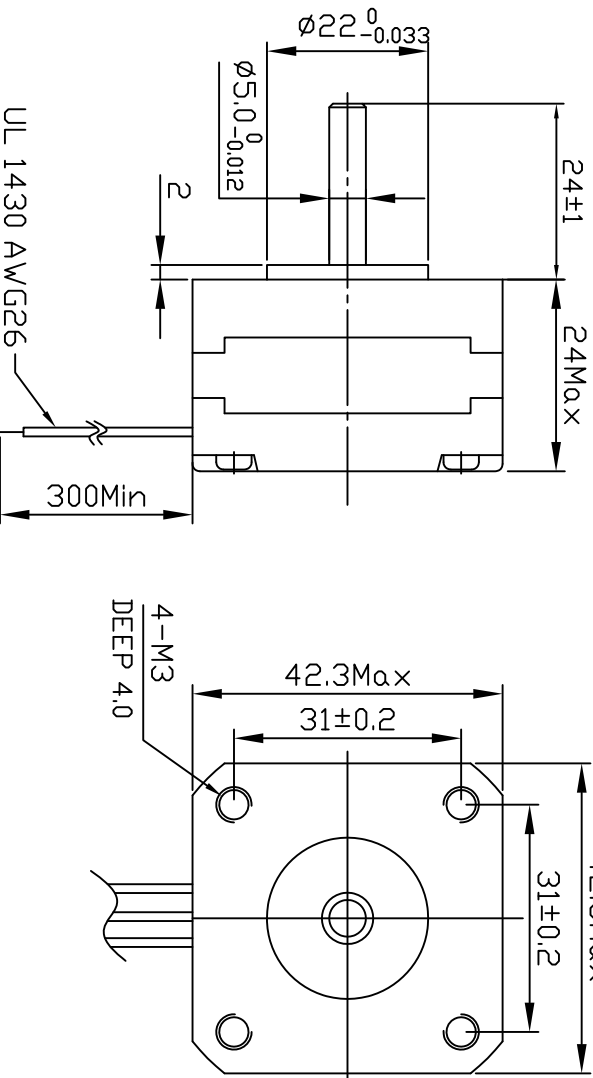
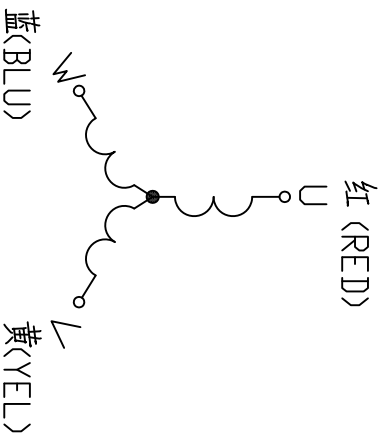


REV	ECN NO.	DESCRIPTION	DRN	APP'D	DATE

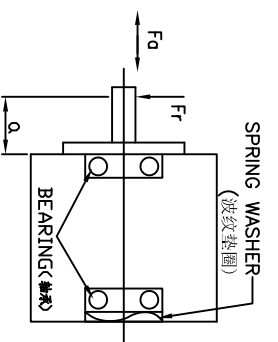
Wiring Diagram:



SPECIFICATION

STEP ANGLE	步距角	1.2°/full step(步距)
STEP ANGLE ACCURACY	步距角精度	±5%
NUMBER OF PHASE	绕组相数	3
RATED VOLTAGE	额定电压	5.58 VDC
RATED CURRENT	额定电流	0.9 A
RESISTANCE/PHASE	每相电阻	6.2±10% ohms@20°C
INDUCTANCE/PHASE	每相电感	3.2±20% mH@1kHz
HOLDING TORQUE	保持转矩	800g.cm
PULL OUT TORQUE	运行转矩	N.cm@ RPM
BACK EMF	反电动势	V @300RPM
DETENT TORQUE	定位转矩	N.cm
ROTOR INERTIA	转子转动惯量	20 g.cm ²
WEIGHT	重量	140 g
TEMPERATURE RISE	温升	Less than 80K (ΔT80度)
SOURCE VOLTAGE	驱动器电压	24 VDC
INSULATION CLASS	绝缘等级	B 130°C
DIELECTRIC STRENGTH	介电强度	500VAC 1MIN
INSULATION RESISTANCE	绝缘电阻	100MΩhm @500VDC
IP CODE	防护等级	IP30
OPERATION AMBIENT	使用环境	Ambient temperature:-20...+50°C,humidity Max. 85%(No condensation)
STORAGE AMBIENT	存储环境	Ambient temperature:-20...+85°C,humidity Max. 85%(No condensation)

PERMISSIBLE RADIAL+AXIAL FORCE
(允許的軸向和徑向力)



CW DIRECTION	STEP	A	B	C
↑	1	+		
	2		+	
	3			+

CW see from the flange side

PN号	名称	数量	单位	备注	PN号	名称	数量	单位	备注

UNLESS OTHERWISE SPECIFIED TOLERANCES:	ANGULAR:	FIRST ANGLE PROJECTION	SCALE	NTS	PULLING MOTOR
.x ±0.5	±0°30'				
.xx ±0.25					
.xxx ±0.1					
DO NOT SCALE DRAWING					

DESIGN	DATE	P/N	TITLE	USED ON	DWG NO.	REV
			Specifications	FL423P24-0903A		