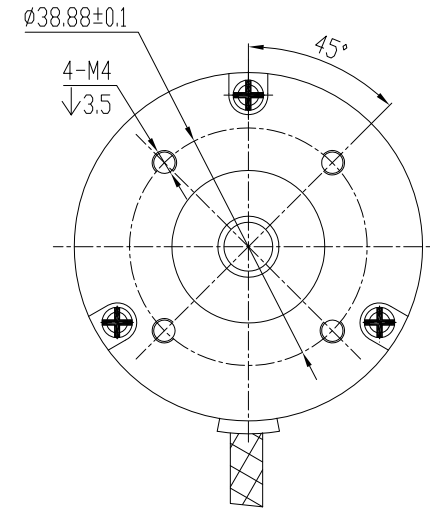
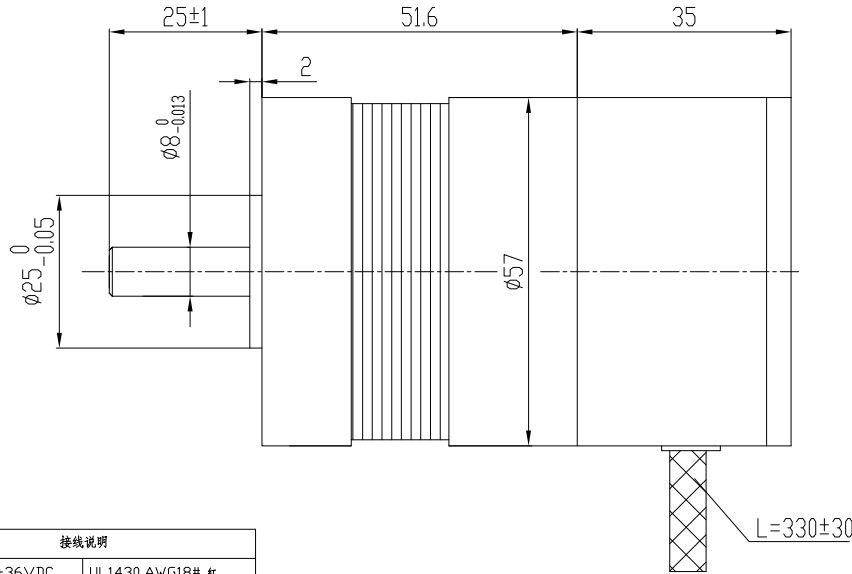


REV	ECN NO.	DESCRIPTION



接线说明	
电源 +36VDC	UL1430 AWG18# 红
电源 -	UL1430 AWG18# 黑
调速输入SV	UL1430 AWG26# 黄
正反转/R	UL1430 AWG26# 蓝
转速脉冲输出FG	UL1430 AWG26# 白

NUMBER OF PHASE	绕组相数	3			
NUMBER OF POLES	极数	4			
LINE TO LINE RESISTANCE	线电阻	1.63±10% ohms@20°C			
LINE TO LINE INDUCTANCE	线电感	4.39±20% mH@1kHz			
NOMINAL VOLTAGE	额定电压	36 VDC			
NO LOAD SPEED	空载转速	5700±10% RPM			
NO LOAD CURRENT	空载电流	< 0.4 A			
RATED TORQUE	额定转矩	0.11N.m	PERMISSIBLE RADIAL+AXIAL FORCE 		
RATED SPEED	额定转速	4000(1±10%) RPM			
RATED CURRENT	额定电流	1.8A			
PEAK TORQUE	峰值转矩	0.33 N.m			
PEAK CURRENT	峰值电流	5.5 A			
BACK EMF CONSTANT	反电势常数	4.5 Vrms/kRPM			
TORQUE CONSTANT	转矩常数	0.06N.m/A			
INSULATION CLASS	绝缘等级	B 130°C		AXIAL-FORCE 径向压力	Fa=75 N Max.
DIELECTRIC STRENGTH	介电强度	650VAC 1SEC		DISTANCE 距离	a=20 mm
INSULATION RESISTANCE	绝缘电阻	100M0hm @500VDC		RADIAL-FORCE 轴向压力	Fr=15 N Max.
ROTOR INERTIA	转子转动惯量	75g.cm ²	SHAFT RADIAL PLAY 径向间隙	0.025mm Max. @460g	
WEIGHT	重量	0.5 Kg	SHAFT AXIAL PLAY 轴向间隙	0.025mm Max. @4000g	
OPERATION AMBIENT	使用环境	Ambient temperature:-20...+55°C, humidity Max. 85%(No condensation)			
STORAGE AMBIENT	存储环境	Ambient temperature:-10...+35°C, humidity Max. 85%(No condensation)			

驱动器引出线描述:

WIRES DESCRIPTION:

1. Red红 ---Positive input of 36VDC/电源电压 36VDC;
2. Black黑 ---Ground (0V)/接地;
3. Yellow黄---0~+5V speed regulation voltage
输入模拟电压 (0~5V) 调速;
4. Blue蓝---ROTATING DIRECTION, “High(+5V) CCW, Low(0V) CW”
F/R悬空或者接+5V, 电机CCW, F/R接地, 电机CW(从电机出轴方向看);
5. White白---Speed pulse output(TTL) for customer,
pulse number per shaft revolution is 3N(N= pole number of motor)
速度脉冲输出 (TTL), 每转输出脉冲数为3N (N为电机极数)

			DESIGN	DATE	P/N.	3.1.02.057.***
			CHECK		TITLE	Specifications
					USED ON	FL57BL01-36V-4000IEX
			APPD		DWG NO.	REV
			FIRST ANGLE PROJECTION	SCALE N.T.S	FULLING MOTOR	
			UNIT: mm	SHEET 1 OF 1		
UNLESS OTHERWISE SPECIFIED TOLERANCES						
DECIMALS:	ANGULAR:					
.x ±0.5	±0°30'					
.xx ±0.25						
.xxx ±0.1						
DO NOT SCALE DRAWING						