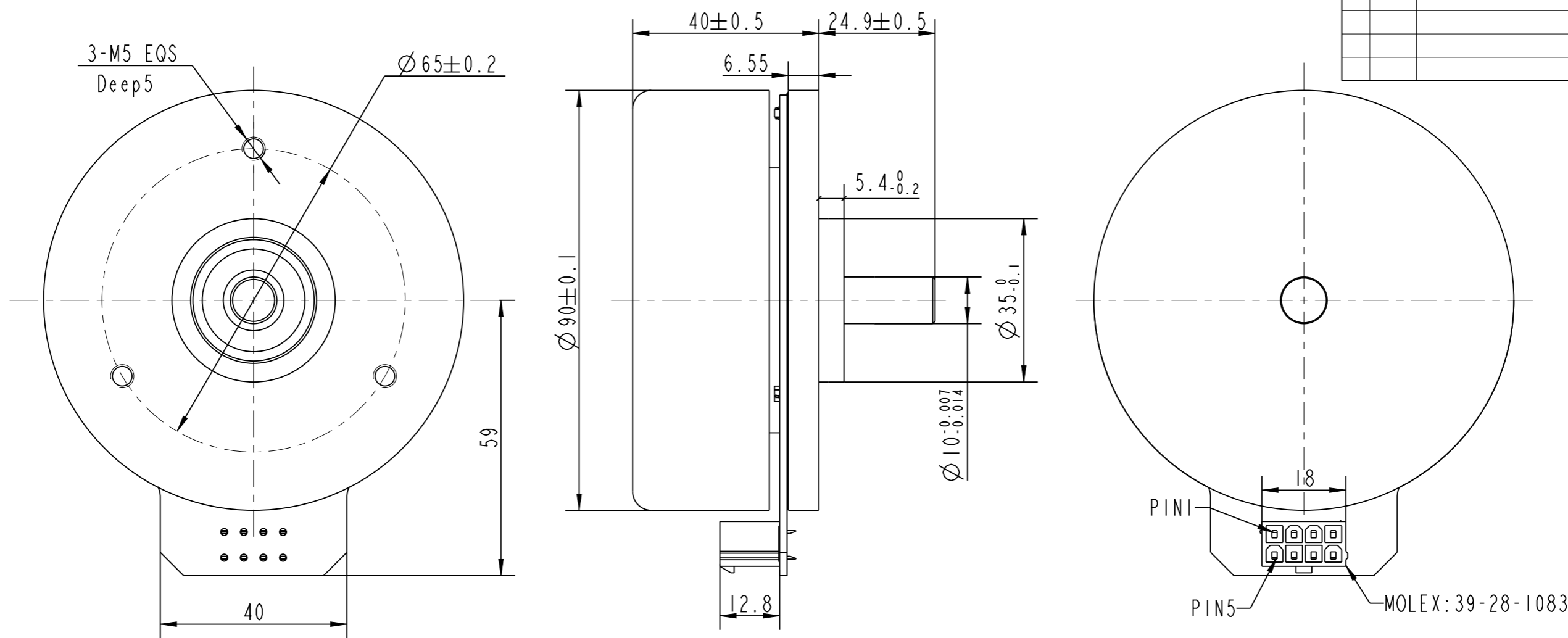


REV	ECN	NO	DESCRIPTION	DRN	APP'D	DATE



NUMBER OF PHASE	绕组相数	3	Phases					
NUMBER OF POLES	极数	22	PHASE U	PHASE V	PHASE W			
LINE TO LINE RESISTANCE	线电阻	$0.65 \pm 10\%$ ohms@20°C	PIN7	PIN8	PIN4			
LINE TO LINE INDUCTANCE	线电感	$0.9 \pm 20\%$ mH@1kHz	Hall					
NOMINAL VOLTAGE	额定电压	48 VDC	HALLVcc	Hu	Hv	Hw	HALLGnd	
NO LOAD SPEED	空载转速	$1900 \pm 10\%$ RPM	PIN3	PINI	PIN2	PIN5	PIN6	
NO LOAD CURRENT	空载电流	0.35 A REF	PERMISSIBLE RADIAL+AXIAL FORCE					
RATED TORQUE	额定转矩	0.964 N.m						
RATED SPEED	额定转速	$1670 \pm 10\%$ RPM						
RATED CURRENT	额定电流	4.3 A						
PEAK TORQUE	峰值扭矩	3 N.m						
PEAK CURRENT	峰值电流	13 A						
BACK EMF CONSTANT	反电势常数	$17.9 \pm 10\%$ Vrms/kRPM						
TORQUE CONSTANT	转矩常数	241 mN.m/A	AXIAL-FORCE	轴向压力	Fa=45 N Max			
INSULATION CLASS	绝缘等级	B 130°C	DISTANCE	距离	a=10 mm			
DIELECTRIC STRENG	介电强度	600VAC ISEC	RADIAL-FORCE	径向压力	Fr=110 N Max			
INSULATION RESIST	绝缘电阻	100MOhm @500VDC	SHAFT RADIAL PLAY	径向间隙	0.02mm Max.@4N			
ROTOR INERTIA	转子转动惯量	5000g.cm ²	SHAFT AXIAL PLAY	轴向间隙	0.08mm Max.@4N			
WEIGHT	重量	1Kg						
OPERATION AMBIENT	使用环境	Ambient temperature:-25...+55°C, humidity Max.85%(No condensation)						
STORAGE AMBIENT	存储环境	Ambient temperature:-25...+85°C, humidity Max.85%(No condensation)						

A	REV	ECN NO.	DESCRIPTION	DESIGN	DATE	P/N.	3.1.02.090.0012
UNLESS OTHERWISE SPECIFIED			MATERIAL	CONTR.	CHECK	TITLE	SPECIFICATIONS
TOLERANCES:					APPD	USED ON	FL90BLW40-48V-16170A
DECIMALS:						DWG NO.	REV A
.X ±0.5						FULLING MOTOR	
.XX ±0.25							
.XXX ±0.1							
UNIT: mm			FIRST ANGLE PROJECTION		SCALE 1:1		
DO NOT SCALE DRAWING					SHEET 1 OF 1		