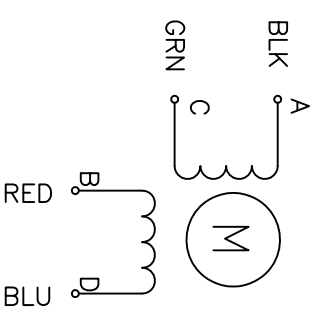


| REV | ECN NO. | DESCRIPTION | DRN | APP'D | DATE |
|-----|---------|-------------|-----|-------|------|
| | | | | | |
| | | | | | |
| | | | | | |
| | | | | | |

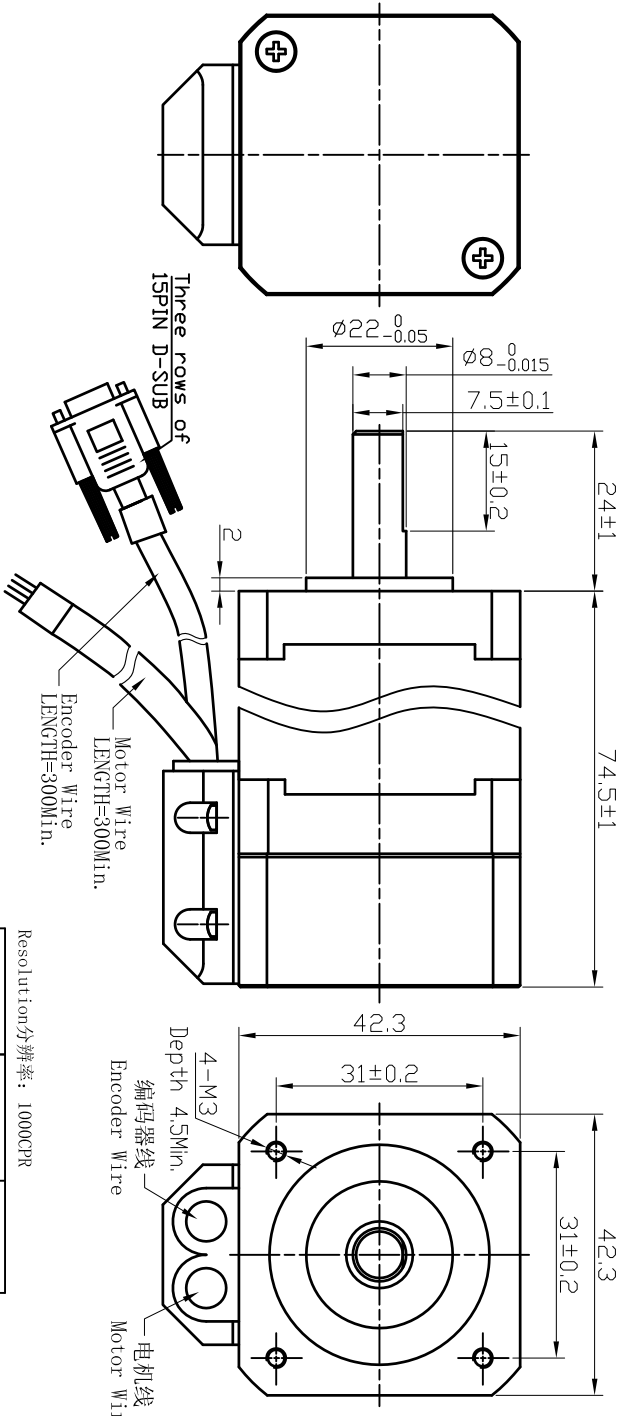
Wiring Diagram (接线图)



Exciting Sequence (励磁顺序)

| CCW DIRECTION | STEP | A | C | B | D |
|---------------|------|---|---|---|---|
| ↑ | 1 | + | | + | |
| | 2 | | + | | + |
| | 3 | | | + | + |
| | 4 | + | | | + |

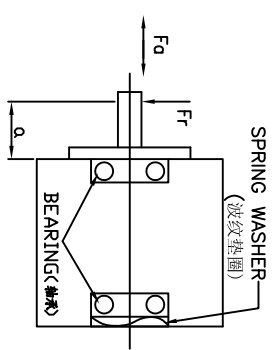
CCW, see from flange side
(逆时针, 从法兰侧看)



SPECIFICATION

| | | |
|-----------------------|--------|---|
| STEP ANGLE | 步距角 | 1.8°/full step(步角) |
| STEP ANGLE ACCURACY | 步距角精度 | ±5% |
| NUMBER OF PHASE | 绕组相数 | 2 |
| RATED VOLTAGE | 额定电压 | 2.53 V |
| RATED CURRENT | 额定电流 | 2.3 A |
| RESISTANCE/PHASE | 每相电阻 | 1.1±10% ohms@20°C |
| INDUCTANCE/PHASE | 每相电感 | 2.5±20% mH@1kHz |
| HOLDING TORQUE | 保持转矩 | 6000 g.cm |
| PULL OUT TORQUE | 运行转矩 | |
| BACK EMF | 反电动势 | |
| DETENT TORQUE | 定位转矩 | |
| ROTOR INERTIA | 转子转动惯量 | 92 g.cm ² |
| WEIGHT | 重量 | 500 g |
| TEMPERATURE RISE | 温升 | Less than 80K(A*80%) |
| SOURCE VOLTAGE | 驱动器电压 | 24 VDC |
| INSULATION CLASS | 绝缘等级 | B 130°C |
| DIELECTRIC STRENGTH | 介电强度 | 500VAC 1MIN |
| INSULATION RESISTANCE | 绝缘电阻 | 100MΩhm @500VDC |
| IP CODE | 防护等级 | IP30 |
| OPERATION AMBIENT | 使用环境 | Ambient temperature:-20...+50°C, humidity Max. 85%(No condensation) |
| STORAGE AMBIENT | 存储环境 | Ambient temperature:-20...+85°C, humidity Max. 85%(No condensation) |

PERMISSIBLE RADIAL+AXIAL FORCE
(允许轴向外力和轴向力)



Resolution分辨率: 1000CPR

| Three rows of 1SPIN D-SUB | 芯线颜色 (Colour) | 信号定义 (Definition) |
|---------------------------|---------------|-------------------|
| 3 | 红白 (RED/WHI) | GND |
| 2 | 红 (RED) | VCC (5V) |
| 13 | 蓝 (BLU) | EA- |
| 1 | 蓝黑 (BLU/BLK) | EA+ |
| 12 | 黑 (BLK) | EB- |
| 11 | 黑白 (BLK/WHI) | EB+ |

外壳 (Shell) 编织 (Knit)

| DESIGN | DATE | P/N | TITLE |
|--------|------|----------------|----------------|
| | | 31.101.042.*** | Specifications |
| | | | USED ON |
| | | | FL42SC-06 |
| | | | DWG NO. |
| | | | REV |
| | | | A |

| UNLESS OTHERWISE SPECIFIED | MATERIAL | CONTR. | CHECK |
|----------------------------|----------|--------|-------|
| TOLERANCES: | | | |
| DECIMALS: | | | |
| ANGULAR: | | | |
| .X | ±0.5 | | |
| .XX | ±0.25 | | |
| .XXX | ±0.1 | | |
| UNIT: mm | | | |
| DO NOT SCALE DRAWING | | | |

| FIRST ANGLE PROJECTION | SCALE | NTS | PULLING MOTOR |
|------------------------|-------|-----|---------------|
| | | | |
| | | | |
| | | | |