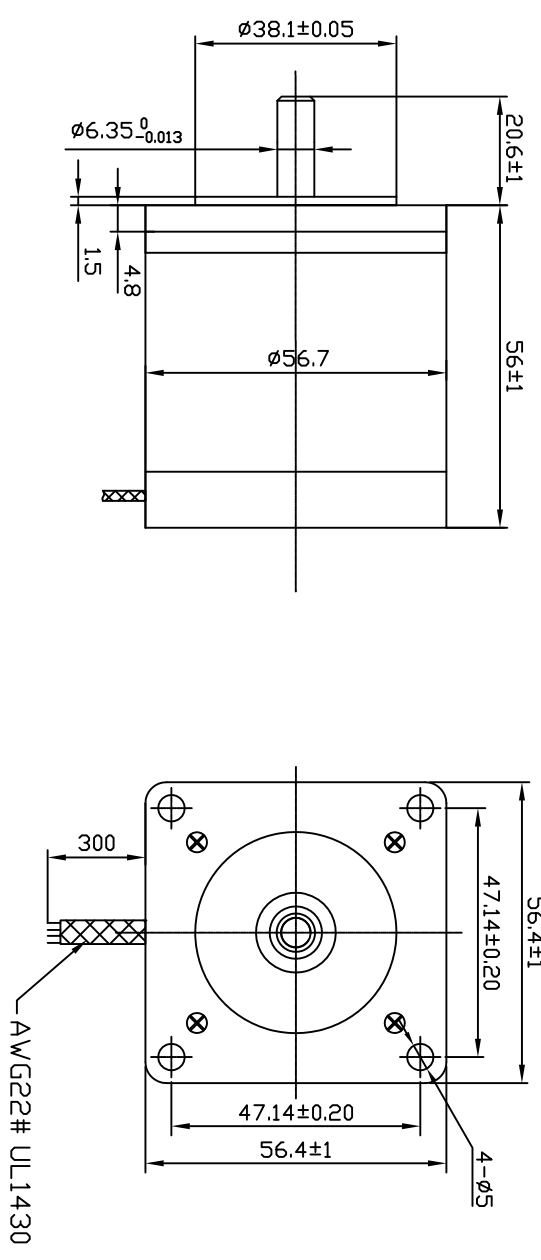
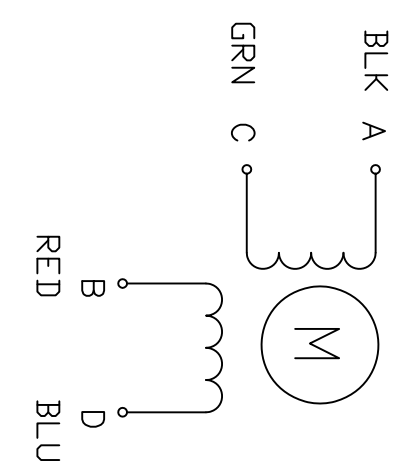


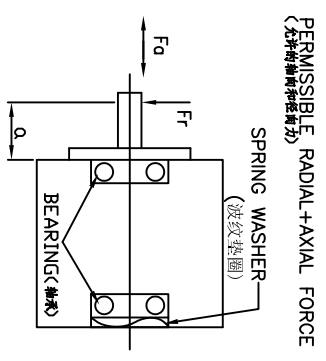
| REV | REV NO. | DESCRIPTION | DRN | APP'D | DATE |
|-----|---------|-------------|-----|-------|------|
| | | | | | |
| | | | | | |
| | | | | | |
| | | | | | |

Wiring Diagram (接线图)



SPECIFICATION

| | | |
|-----------------------|--------|--|
| STEP ANGLE | 步距角 | 1.8°/full step(步距) |
| STEP ANGLE ACCURACY | 步距角精度 | ±5% |
| NUMBER OF PHASE | 绕组相数 | 2 |
| RATED VOLTAGE | 额定电压 | 2.8 VDC |
| RATED CURRENT | 额定电流 | 2.55 A |
| RESISTANCE/PHASE | 每相电阻 | 1.1±10% ohms@20°C |
| INDUCTANCE/PHASE | 每相电感 | 3.6±20% mH@1kHz |
| HOLDING TORQUE | 保持转矩 | 84 N.cm |
| PULL OUT TORQUE | 运行转矩 | N.cm @ RPM |
| BACK EMF | 反电动势 | V @300RPM |
| DETENT TORQUE | 定位转矩 | N.cm |
| ROTOR INERTIA | 转子转动惯量 | 135 g.cm ² |
| WEIGHT | 重量 | 0.65Kg |
| TEMPERATURE RISE | 温升 | Less than 80K(ΔT80步) |
| SOURCE VOLTAGE | 驱动器电压 | 24 VDC |
| INSULATION CLASS | 绝缘等级 | B 130°C |
| DIELECTRIC STRENGTH | 介电强度 | 500VAC 1MIN |
| INSULATION RESISTANCE | 绝缘电阻 | 100MΩhm @500VDC |
| IP CODE | 防护等级 | IP30 |
| OPERATION AMBIENT | 使用环境 | Ambient temperature:-25...+40°C,humidity Max. 85%(No condensation) |
| STORAGE AMBIENT | 存储环境 | Ambient temperature:-10...+35°C,humidity Max. 85%(No condensation) |



| PN号 | 名称 | 数量 | 单位 | 备注 | PN号 | 名称 | 数量 | 单位 | 备注 |
|-----|----|----|----|----|-----|----|----|----|----|
| | | | | | | | | | |
| | | | | | | | | | |
| | | | | | | | | | |
| | | | | | | | | | |
| | | | | | | | | | |

Exciting Sequence (励磁顺序)

| CW DIRECTION | STEP | A | C | B | D |
|--------------|------|---|---|---|---|
| ↑ | 1 | + | | + | |
| | 2 | | + | | + |
| | 3 | | | + | |
| | 4 | + | | | + |

CW, see from flange side
(顺时针, 从法兰侧看)

FULLING MOTOR