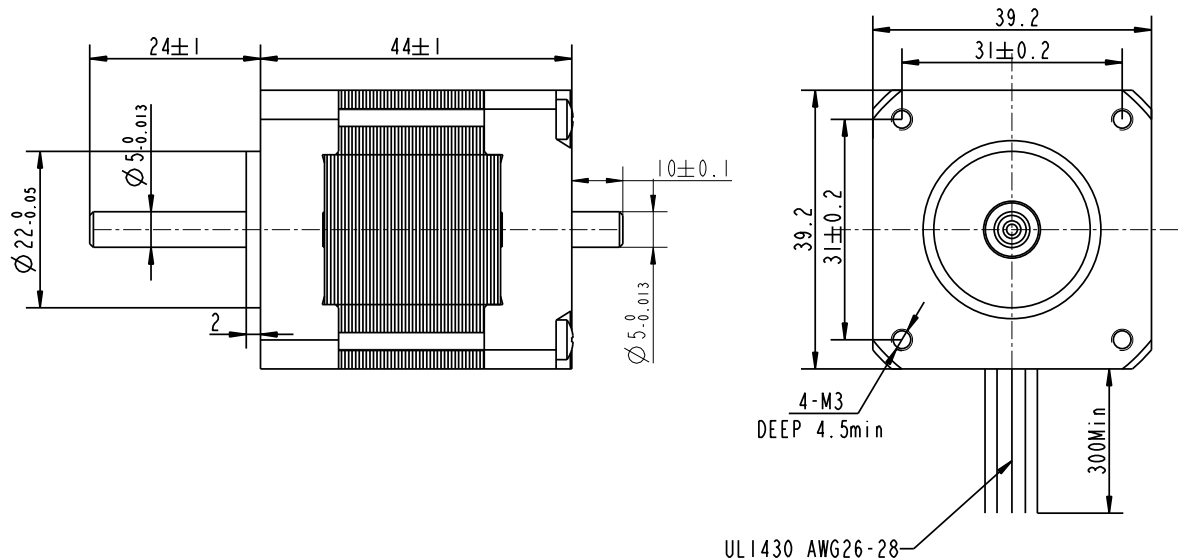
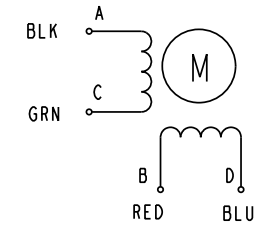


REV	ECN	NO	DESCRIPTION	DRN	APP'D	DATE



Wiring Diagram (接线图)



Exciting Sequence (励磁顺序)

CW DIRECTION	STEP	A	C	B	D
↓	1	+		+	
	2		+	+	
	3		+		+
	4	+			+
	1	+		+	

CW, see from flange side (顺时针 从法兰侧看)

STEP ANGLE	步距角	1.8°/full step(满步)	PERMISSIBLE RADIAL+AXIAL FORCE (允许轴向和径向力)				
STEP ANGLE ACCURACY	步距角精度	±5%					
NUMBER OF PHASE	绕组相数	2					
RATED VOLTAGE	额定电压	12 VDC					
RATED CURRENT	额定电流	0.3 A					
RESISTANCE/PHASE	每相电阻	40±10% OHMS@20°C					
INDUCTANCE/PHASE	每相电感	60±20% mH@1kHz					
HOLDING TORQUE	保持转矩	2.8 Kg.cm					
PULL OUT TORQUE	运行转矩	N.cm@ RPM					
BACK EMF	反电动势	V @300RPM					
DETENT TORQUE	定位转矩	N.cm					
ROTOR INERTIA	转子转动惯量	250 g.cm²					
WEIGHT	重量	40 g					
TEMPERATURE RISE	温升	less than 80K(≠780#)			AXIAL-FORCE	轴向压力	Fa:10 N Max
SOURCE VOLTAGE	驱动器电压	24 VCD			DISTANCE	距离	a:10 mm
INSULATION CLASS	绝缘等级	B 130°C	RADIAL-FORCE	径向压力	Fr:28 N Max		
DIELECTRIC STRENG	介电强度	500VAC 1MIN	SHAFT RADIAL PLAY	径向间隙	0.02mm Max. @4N		
INSULATION RESIST	绝缘电阻	100MΩm @500VDC	SHAFT AXIAL PLAY	轴向间隙	0.08mm Max. @4N		
IP CODE	防护等级	IP30	OPERATION AMBIENT 使用环境 Ambient temperature:-25...+40°C, humidity Max.85%(No condensation)				
STORAGE AMBIENT	存储环境	Ambient temperature:-10...+35°C, humidity Max.85%(No condensation)	UNIT: mm DO NOT SCALE DRAWING				

A	REV	ECN NO.	DESCRIPTION	DESIGN	DATE	P/W.	标题
							电机
UNLESS OTHERWISE SPECIFIED TOLERANCES:			MATERIAL	CONTR.	CHECK	USED ON	FL39ST44-0304B
DECIMALS: .X ±0.5 .XX ±0.25 .XXX ±0.1			ANGULAR: ±0°30'		APPD	DWG NO.	REV A
UNIT: mm			FIRST ANGLE PROJECTION		SCALE 1:1	FULLING MOTOR	
DO NOT SCALE DRAWING					SHEET 1 OF 2		